

HTC - the Innovators, not the imitators!

HTC

270 Edge Grinder

True edge grinding



HTC is proud to present the most advanced edge grinder for professional users.

With existing machines on the market, edge grinding often feels time-consuming and is often associated with poor ergonomics. Until now! The core focus in HTC's product development has always been ergonomics, economy and ecology and HTC 270 EG is no exception. The machine is advanced, yet simple to use and many different options in configuration enables a more controlled and ergonomic edge grinding than ever before.

News and benefits - HTC 270 EG

- Height of grinding head, only 100 mm!
- Access below shelves etc. when grinding
- Frequency control and "overload" light allows full control of grinding
- Ergonomically designed with many handle positions
- Easy to set grinding head towards both left and right grinding
- Grinding head adjustable in three angles
- Optimized center of gravity for best stability
- Floating cover that follows the floor at all times
- The EZchange system gives access to HTC's complete tooling range
- Adjustable counter pressure wheels
- Detachable chassis for easy transportation



HTC 270 EG

True edge grinding

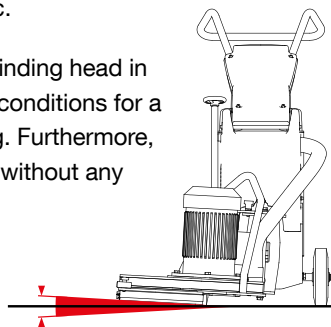


Details that make the difference!

The height of the grinding head, which measures 100 mm with the EZchange tools fitted, is a unique feature that will be appreciated in many environments. In addition, the machine has an insertion depth of 260mm in lateral position to reach below shelves, radiators etc.



The ability to adjust the grinding head in both X- and Y-axis provide conditions for a perfect result when grinding. Furthermore, all settings are easily made without any need for special tools.



The frequency controlled grinding motor provides complete control over grinding, no matter coarse grinding or polishing. The "overload" light is also a small but highly appreciated feature that makes life easier for a professional user.



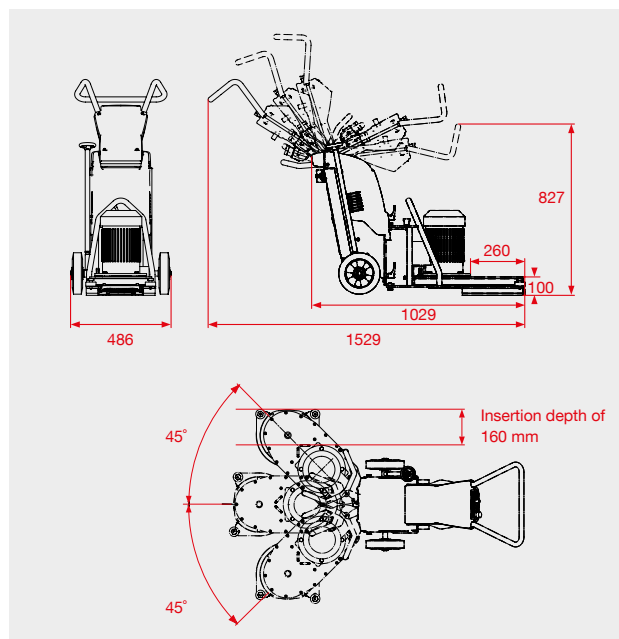
With EZchange tools that reach all the way to the edge you can grind as close to the wall as the counter pressure wheels are set to. In addition, the EZchange system opens up for the complete tooling range from HTC.



Technical Data - HTC 270 EG

Motor	kW	2,2
Ampere	A	10
Voltage:	V	1 x 230
Frequency	Hz	50/60
Weight	kg	103
Grinding diameter	mm	270
Grinding pressure	kg	36
Rpm		460-1220
Grinding discs	mm	1 x 270
Rec. dust extractor		HTC GL 25 D HTC GL 35 D HTC GL 40 D

Technical Data - measurements in mm



HTC Sweden AB

Postal address: Box 69, 614 22 Söderköping, Sweden
 Visitors/delivery address: Klefvägen 7
 614 92 Söderköping, Sweden
 Phone: +46 (0)121-294 00. Fax: +46 (0)121-152 12
 E-mail: info@htc-sweden.com

