

EN

HTC
Professional Floor Systems
HTC 80 iD



www.htc-floorsystems.com



HTC 80 iD

It's time to take control.

Everyone looks for ways to improve their business and make it more profitable. But a chain is never stronger than its weakest link. The core focus for HTC is to keep developing the ultimate flooring system. We believe in a system where all parts are made to match, all the way from the tools to the grinder and finally, the dust extractor.

How to take control

We are excited to introduce the new revolutionary HTC 80 iD. This new dust extractor will improve your efficiency with **up to 15% compared to a traditional solution**. The HTC 80 iD is equipped with a high performance integrated pre-separator that removes up to 95% of the dust and increase filter lifetime.

With HTC 80 iD you will reduce the non-productive time as it's made for continuous operation. Now your operators have no excuse to stop before lunch, its nonstop production!

Adapts to your needs and habits

The HTC 80 iD can be used in various ways depending on your setup. For maximum efficiency and output we recommend a remote controlled grinder.

If you use a traditional grinder without remote control you can still benefit from the double Longopac® or make use of the optional remote control to turn on & off the dust extractor from a distance.

HTC 80 iD - AT A GLANCE

Bypass valve for continuous operation.

Integrated "slide-out" pre-separator.

Double longopacks.



Flow optimized for concrete dust and HTC floor grinders. A profitable match!



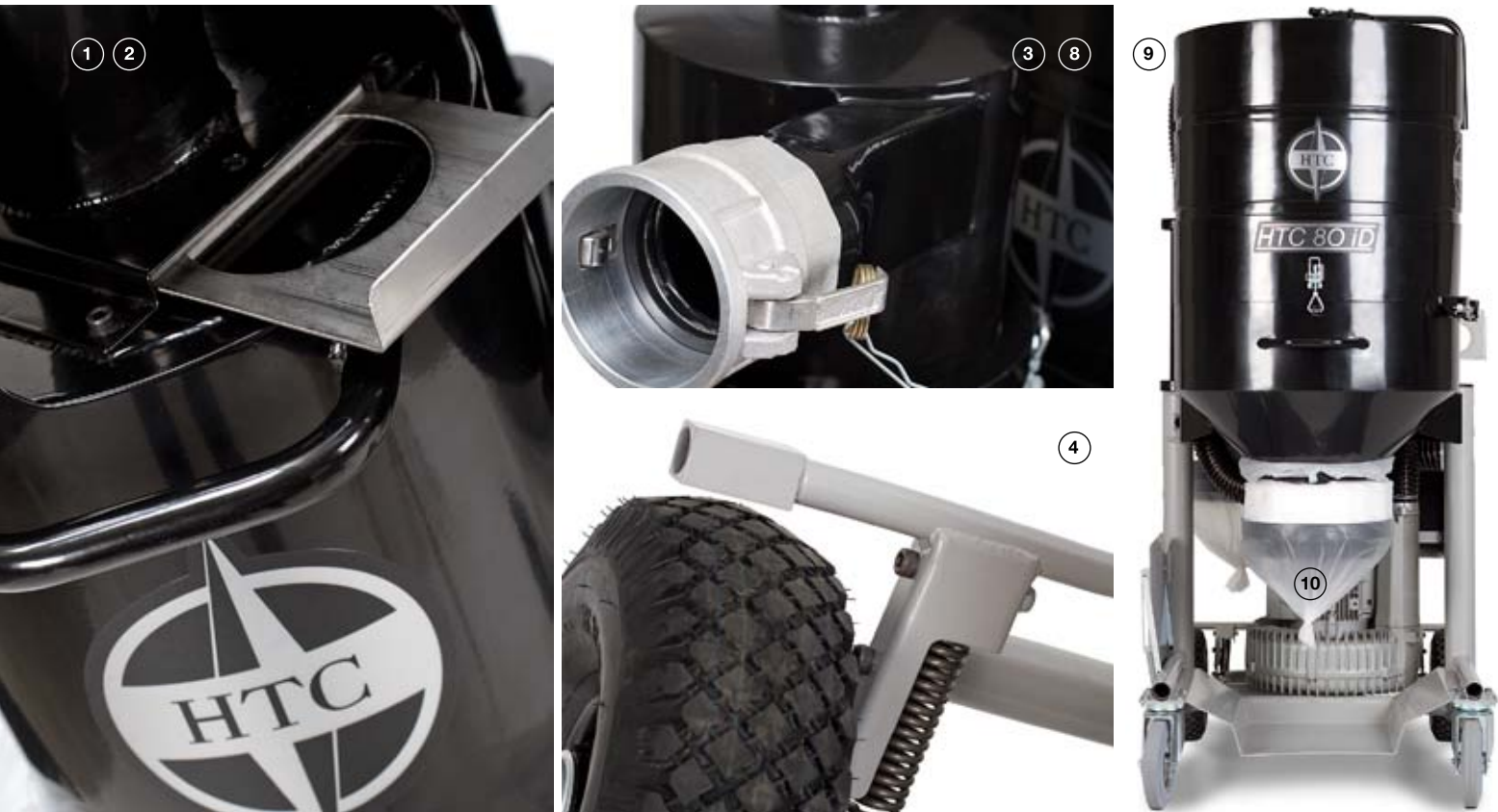
Maintains high flow over time. Longer cycles between filter cleaning.

Optional remote-control

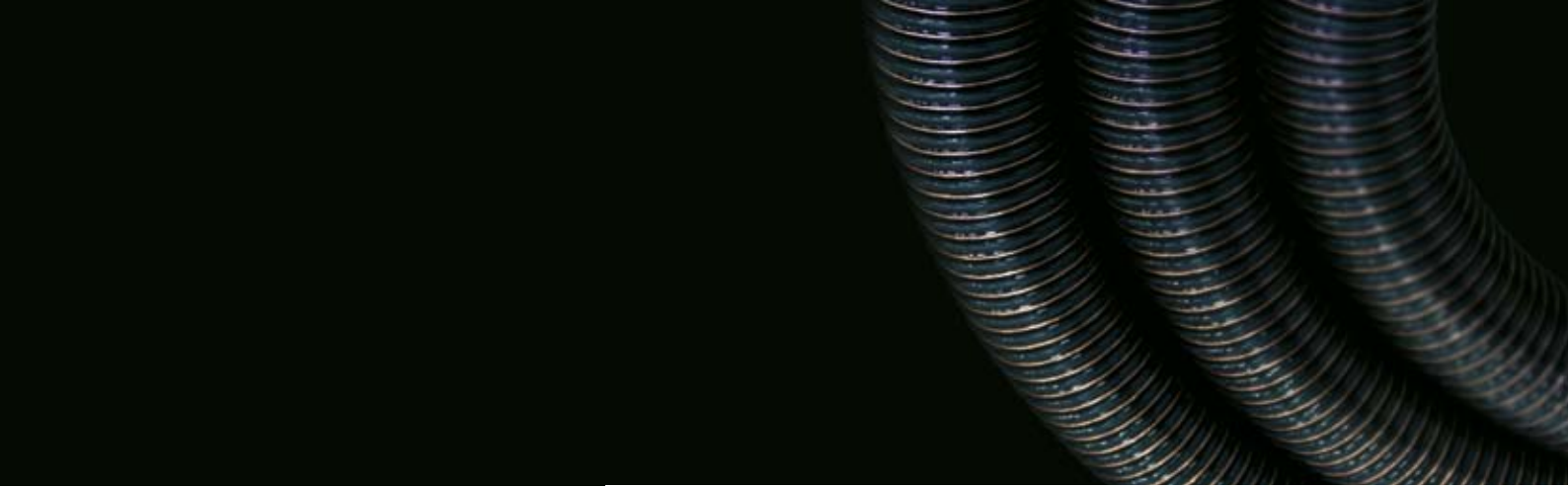


HTC 80 iD

The advantages



- ① **Integrated pre-separator**
Improves filter lifetime,
improves capacity & productivity
- ② **Bypass valve**
Keep your grinder running with
continuous operation
- ③ **Flow optimized for concrete dust
and HTC floor grinders**
A perfect match – increases your output
- ④ **Lockable wheels**
Easy to transport and maneuver
- ⑤ **3,5 m² main filter area**
Gives a continuous high flow over time
and longer cycles between filter cleaning
- ⑥ **20,8 m² HEPA 13 filter area**
Ensures a better working environment
due to high particle separation
- ⑦ **Antistatic**
Reduces the risk of dust explosions
as well as discharges



⑧ **Camlock connections**
The industry standard connection for hoses

⑨ **Easy to maintain**
Logical and straightforward troubleshooting if necessary

⑩ **Marked Longopac®**
Easy to see when bags need to be changed

⑪ **Output hose connection**
Divert harmful gas and smell

⑫ **Optional remote control for on/off**
Increases your productivity and flexibility

⑬ **Filter cleaning**
Simple and effective, makes the filters as new with maximum capacity

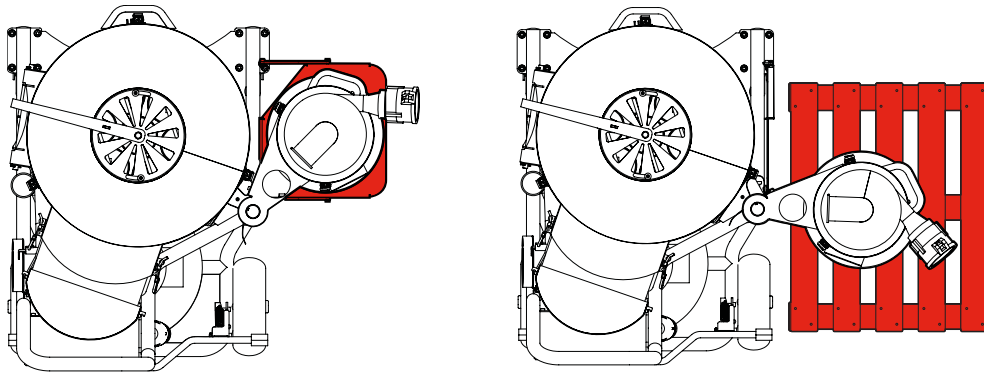
⑭ **Cleaning kit**
A complete set of adapters and hoses. No need for duct tape here!

HTC 80 iD

More advantages & technical specifications

Simplified dust handling

HTC 80 iD have a slide out pre-separator for easy access which allows you to use other carriers such as wheelbarrows, pallets etc. Increases work efficiency depending on your needs.



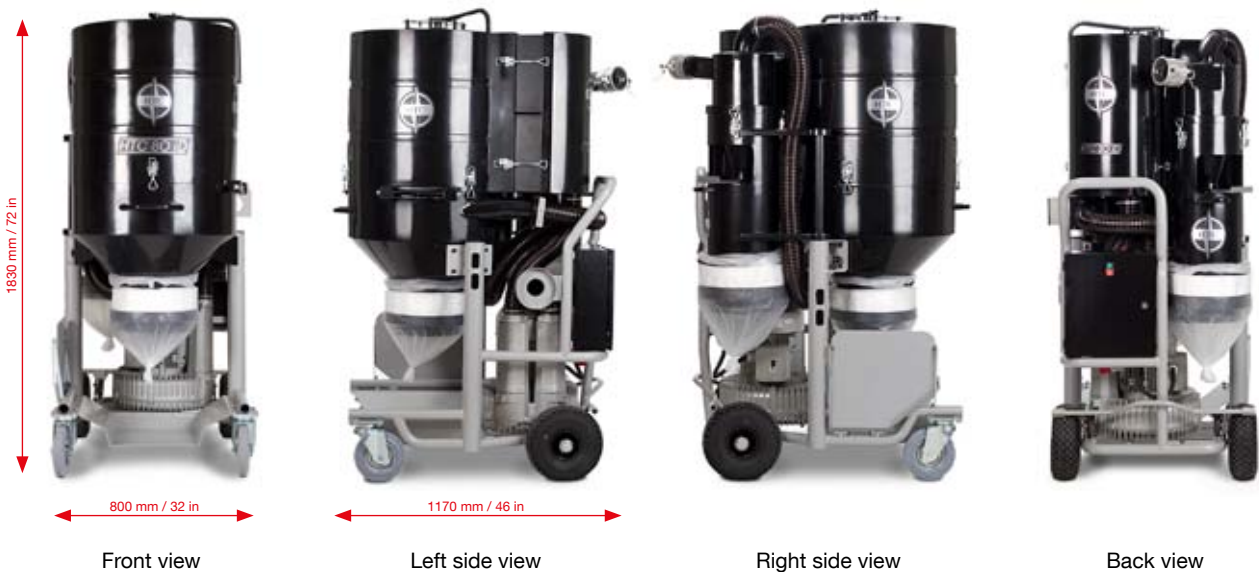
Earn money on a recommended combination

HTC 80 iD and a remote controlled HTC grinding machine is the perfect match for a high production rate. You will reduce the non-productive time as these combinations are made for continuous operation.





Transportation dimensions



Technical data

		HTC 80 iD		HTC 80 iD
Art.no		501909 (EU)		113432 (US)
Motor	kW	7,5	hp	11,5 (8,5 kW)
Ampere	A	16	A	16
Voltage	V	3 x 400	V	3 x 460
Frequency	Hz	50	Hz	60
Weight	kg	260	lbs	573
Max. theoretical airflow	m³/h	700	cfm	476
Max. actual airflow	m³/h	595	cfm	410
Max vacuum	mbar	380	psi	5,5
Main filter area	m²	3,5	sqft	37
HEPA filter area	m²	20,8	sqft	224
HEPA classification		13		13
Dim. transport LxWxH	mm	1170 x 800 x 1830	inch	46 x 32 x 72
Dim. operating LxWxH	mm	1170 x 1240 x 1830	inch	46 x 49 x 72

Head office

HTC Sweden AB

Box 69
SE-614 22 Söderköping
Sweden

Street (delivery) address:
Klevvägen 7
SE-614 92 Söderköping
Sweden

Tel.: +46 (0)121-29400
Fax: +46 (0)121-15212
E-mail: info@htc-sweden.com
www.htc-floorsystems.com

HTC Floor Systems Ltd.

Unit 4 Kingston Business Park
Dunfermline Court
Maidstone Road
Kingston
Milton Keynes
MK10 0BY
United Kingdom

Tel.: +44 (0) 845 460 2500
Fax: +44 (0) 845 460 1500
E-mail: info@htc-europe.co.uk
www.htc-floorsystems.com

HTC Floor Systems GmbH

Im Petersfeld 7
65624 Altendiez
Germany

Tel.: +49 (0) 6432 / 64558 - 0
Fax: +49 (0) 6432 / 64558 - 22
E-mail: info@htc-europe.de
www.htc-floorsystems.com

HTC France S.A.S.

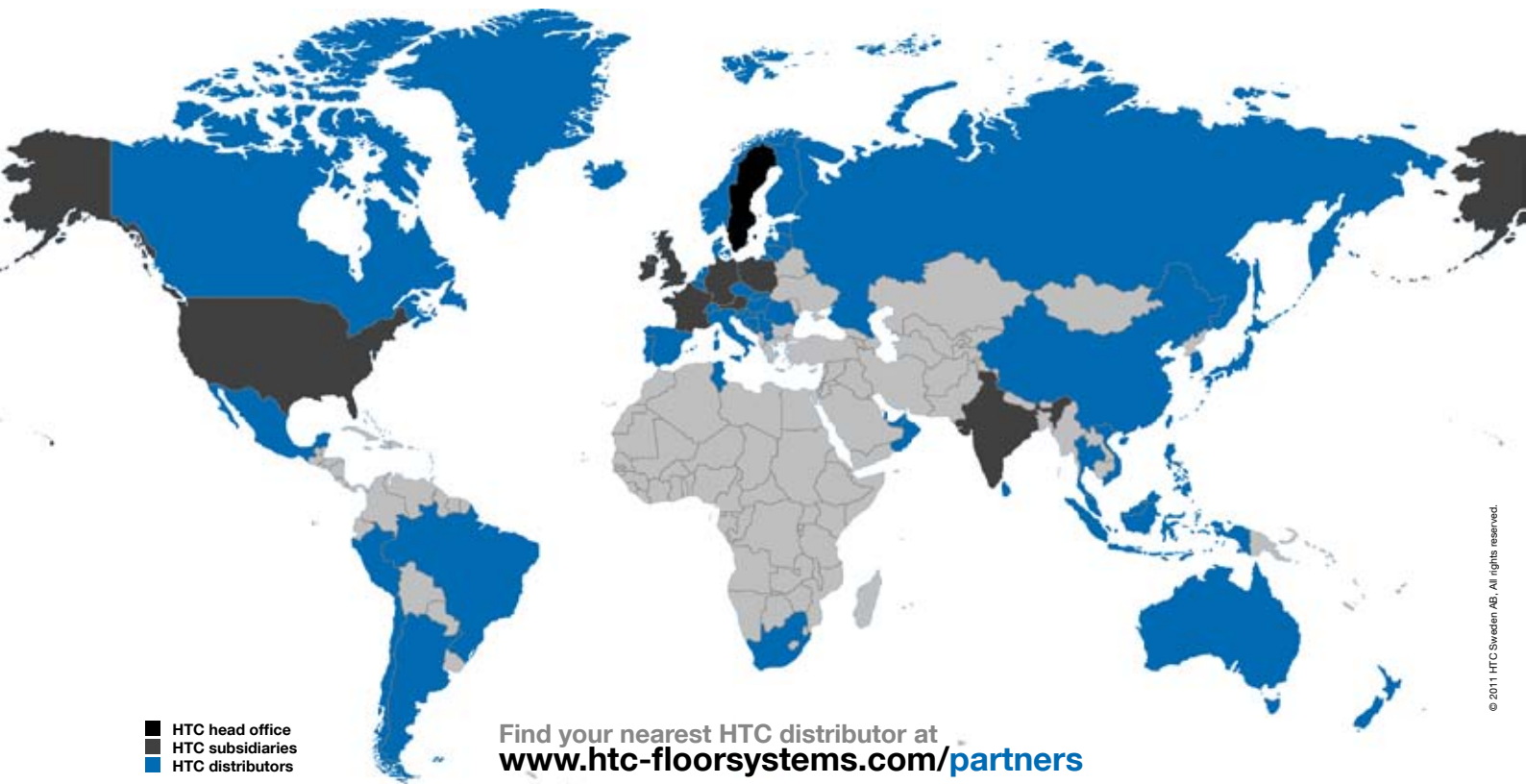
ZI Mondeville Sud
10 Rue Nicéphore Niepce
14120 Mondeville
France

Tel.: +33 (0)2 31 34 27 00
Fax: +33 (0)2 31 34 09 29
E-mail: info@htc-europe.fr
www.htc-floorsystems.com

HTC Inc.

5617 Tazewell Pike
Knoxville, TN 37918
USA

Tel.: +1 865 689 2311
Fax: +1 865 689 3991
E-mail: info@htc-america.com
www.htc-floorsystems.com



- HTC head office
- HTC subsidiaries
- HTC distributors

Find your nearest HTC distributor at
www.htc-floorsystems.com/partners

© 2011 HTC Sweden AB. All rights reserved.

