



SPARE PARTS LIST
HTC 270 EG

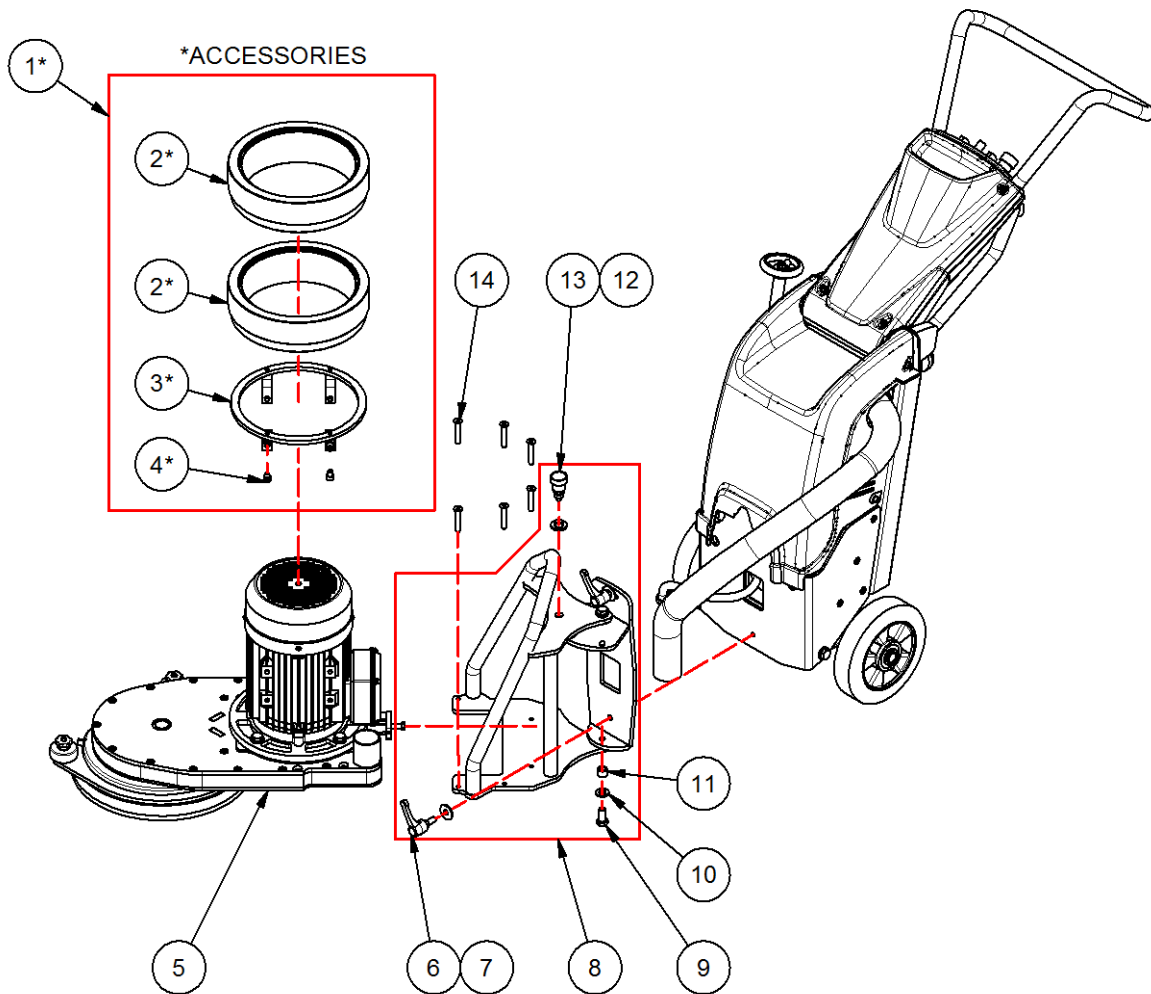




Table of contents

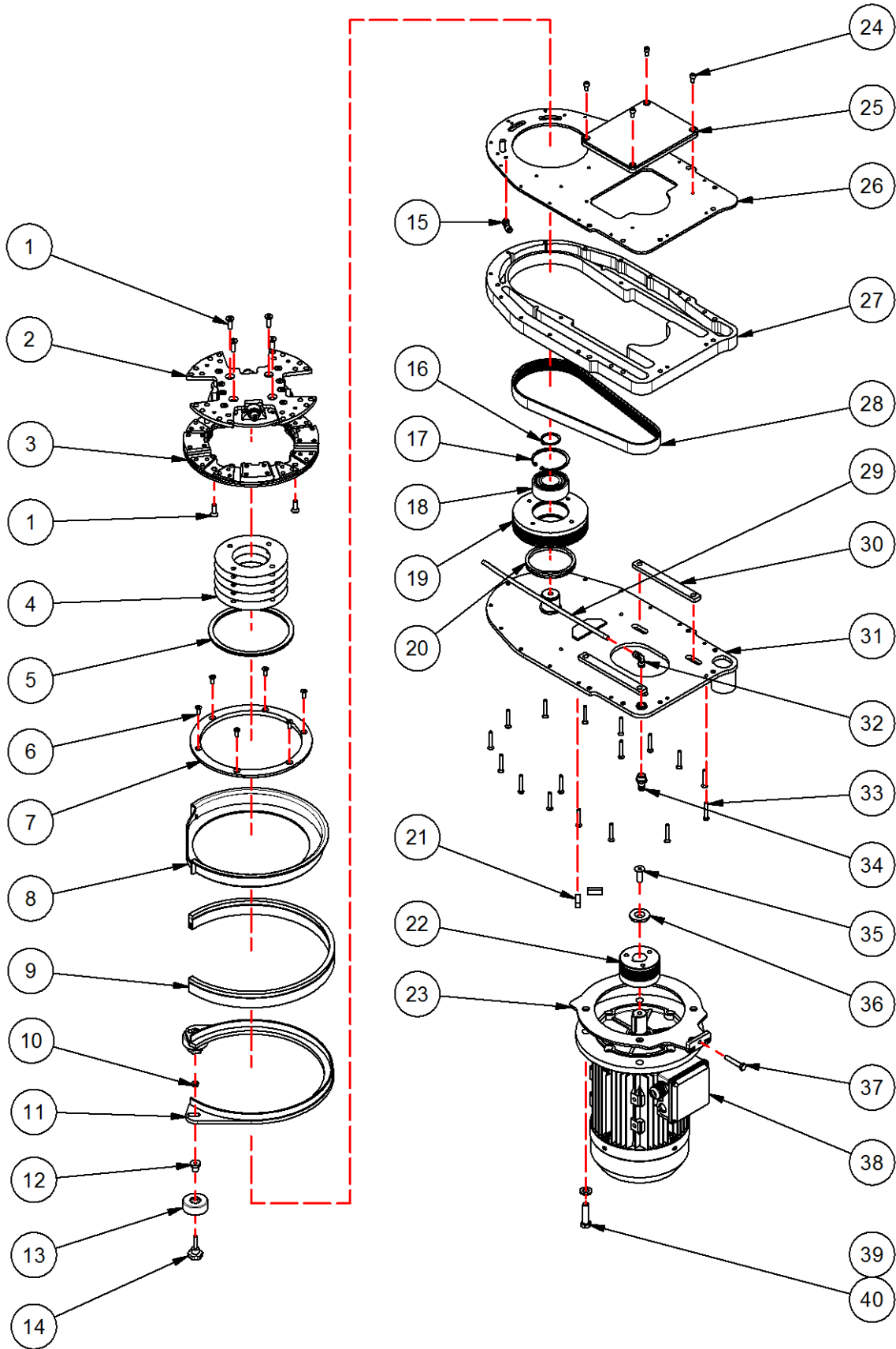
HTC 270 EG Overview	2
HTC 270 EG Grinding head	3
HTC 270 EG Grinding holder	5
HTC 270 EG Chassis.....	6
HTC 270 EG Electrical 1x110V – 550151	9
HTC 270 EG Electrical 1x230V – 550152	10
HTC 270 EG Electrical 3x460V US – 550153	12
HTC 270 EG Electrical 3x400V EU – 550163	14

HTC 270 EG Overview



Item	Description	Part no	Qty
1*	WEIGHT KIT HTC 270 EG	501959	1
2*	WEIGHT KIT RING HTC 270 EG	501958	2
3*	WEIGHT KIT BRACKET HTC 270 EG	501960	1
4*	SCREW MC6S M8x10 8.8 ZP	310006	4
5	GRIND HEAD HTC 270 EG	501057	1
6	SET HANDLE ADJUSTABLE M10x20	113153	2
7	WASHER RBS M10 ZP	310434	2
8	CHASSIE JOINT HTC 270 EG	501056	1
9	SCREW M6SH M12x25 8.8 ZP	310011	2
10	WASHER BRB M12 ZP	310057	2
11	BRONZE BUSHING 12/18x12	113265	2
12	WASHER BRB M16 ZP	310032	1
13	LEVER INDEXING PLUNGER M16x1,5	113094	1
14	SCREW MF6S M8X50 10.9 ZP	310433	6

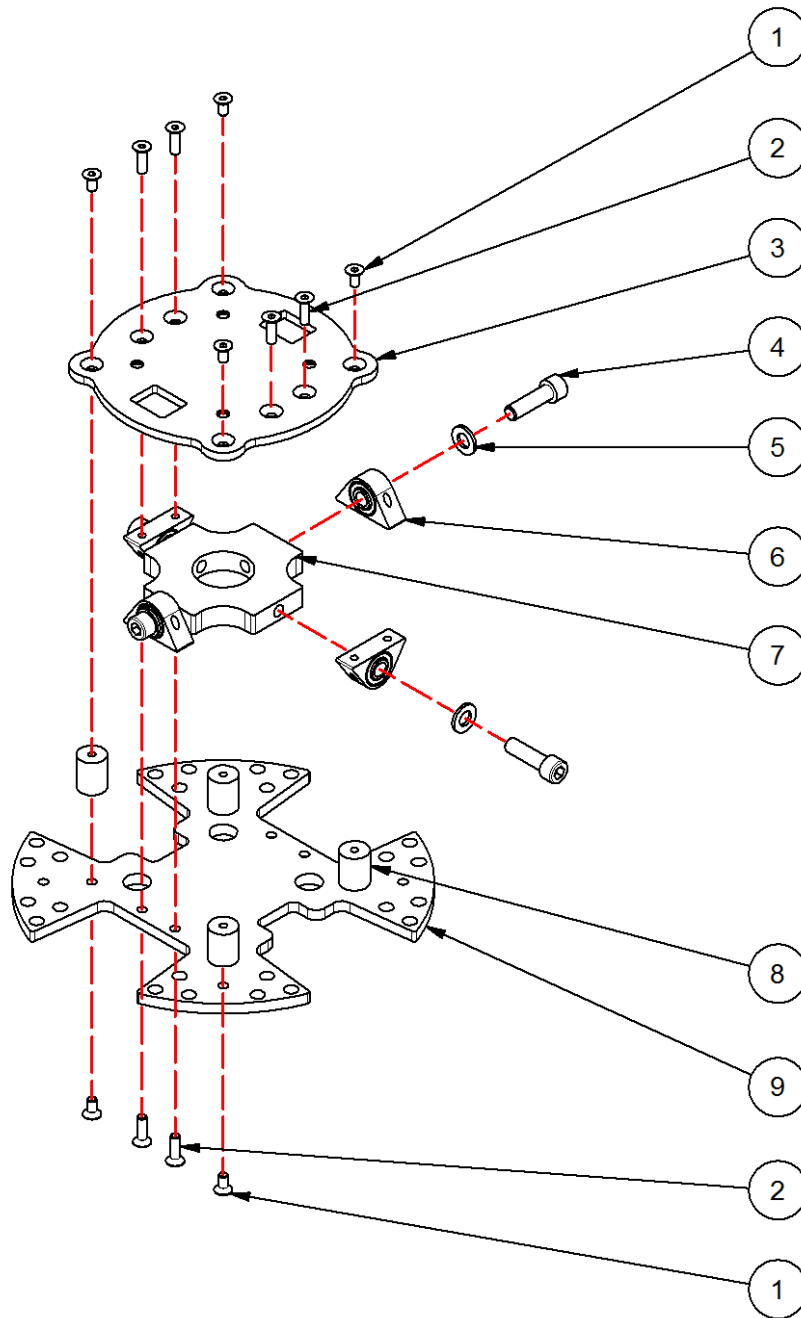
HTC 270 EG Grinding head



HTC 270 EG Grinding head

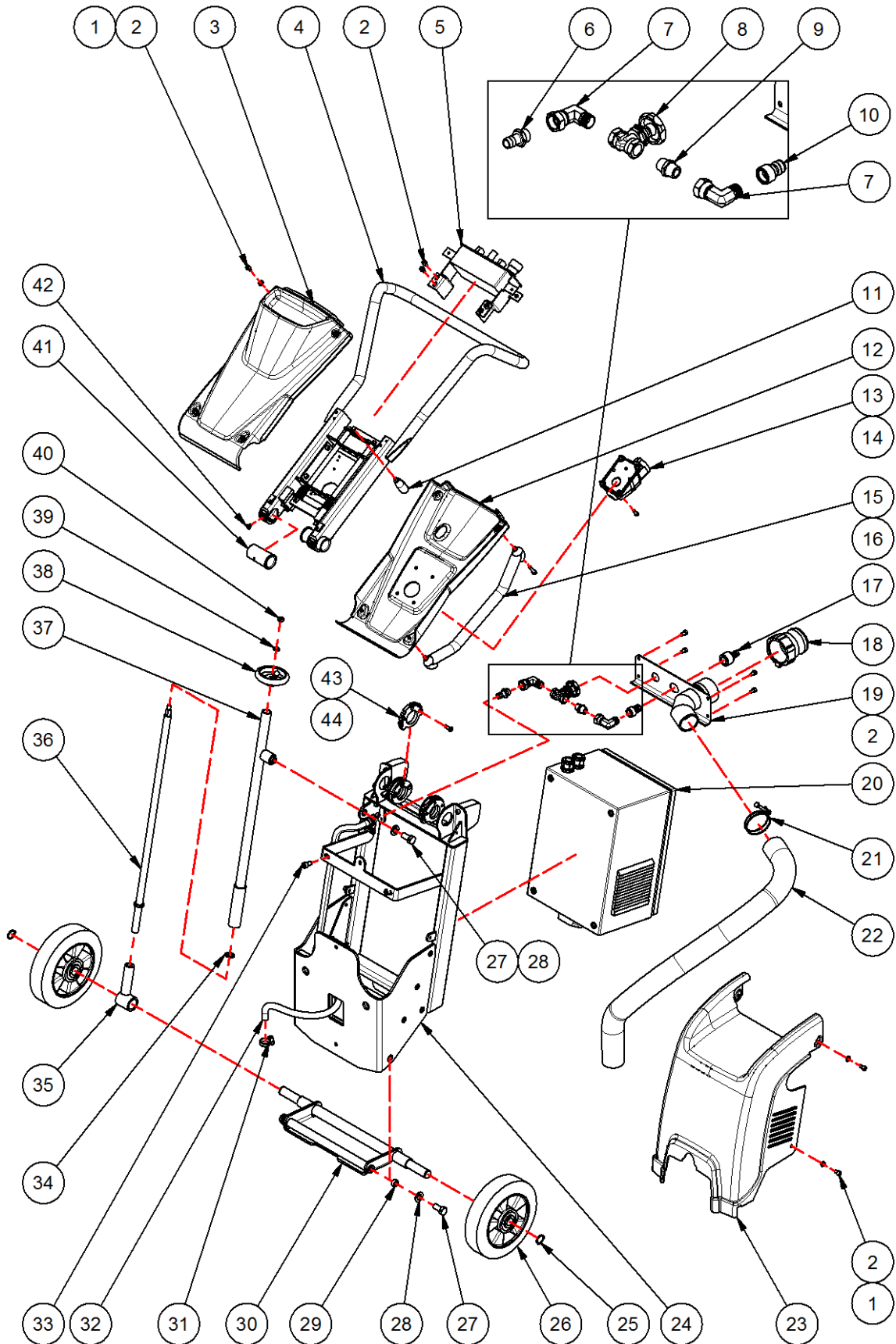
Item	Description	Part no	Qty
1	SCREW MFTS M8X25 8.8 ZP	310130	8
2	GRIND HOLDER CARDAN COMPLETE	501052	1
3	TOOL HOLDER ELASTIC	501042	1
4	SHIM PLATE	501600	3-5
5	PLASTIC/RUBBER SEALING	501552	1
6	SCREW MFTS M6x16 10.9 ZP	310292	6
7	GUIDE RING GRINDING COVER	501043	1
8	GRINDING COVER INNER	501047	1
9	BRUSH LIST 10MM FBL1330	113263	0,8M
10	NUT FLANGE LM6MF M6 ZP	310429	2
11	GRINDING COVER	501048	1
12	AXLE FOR GRINDING COVER WHEEL	501083	2
13	WHEEL GRINDING COVER	501081	2
14	WHEEL KNOB WN175 M6x30	113262	2
15	CONNECTOR 90°6MM HOSE-M7	113254	1
16	CIRCLIP SGA 35	310038	1
17	CIRCLIP SGH 72	310342	1
18	BALL BEARING 3207 A-2RS1-C3	113258	1
19	PULLEY GRIND HOLDER	501077	1
20	RADIAL SEAL CR 400900 VR1	113320	1
21	SPIRIT LEVEL VIAL H29	113307	2
22	PULLEY MOTOR	501092	1
23	TENSIONER PLATE	501091	1
24	SCREW MC6S M6X12 8.8 ZP	310030	4
25	COVER GRIND HEAD	501076	1
26	PLATE LOWER GRIND HEAD	501073	1
27	PLATE MIDDLE GRIND HEAD	501078	1
28	BELT POLY-V PK 870-7	113259	1
29	HOSE Ø6MM	111921	0,4M
30	MOUNT PLATE MOTOR	501079	2
31	PLATE UPPER GRIND HEAD	501088	1
32	CONNECTOR ANGLE 6MM OUTS. 1/4"	112769	1
33	SCREW MFTS M6X40 8.8 ZP	310039	17
34	CONNECTION HOSE 12MM - R3/8"	110147	1
35	SCREW MF6S M10x30 10.9 ZP	310146	1
36	LOCK PLATE PULLEY MOTOR	501080	1
37	SCREW M6SH M8x45 8.8 ZP	310430	1
38	MOTOR 2.2kW	110722	1
39	WASHER BRB M12 ZP	310057	4
40	SCREW M6SH M12x45 8.8 ZP	310037	4

HTC 270 EG Grinding holder



Item	Description	Part no	Qty
1	SCREW MFTS M6X12 10.9 ZP	310312	8
2	SCREW MFTS M6X20 10.9 ZP	310212	8
3	UPPER GRIND HOLDER PLATE	501053	1
4	SCREW MC6S M10X35 8.8 ZP	310301	4
5	WASHER BRB M10 ZP	310048	4
6	BUSHING EAR	112334	4
7	CARDAN CONNECTION	112241	1
8	SHOCK ABSORBER 20x25 M6	112247	4
9	LOWER GRIND HOLDER PLATE	501050	1

HTC 270 EG Chassis



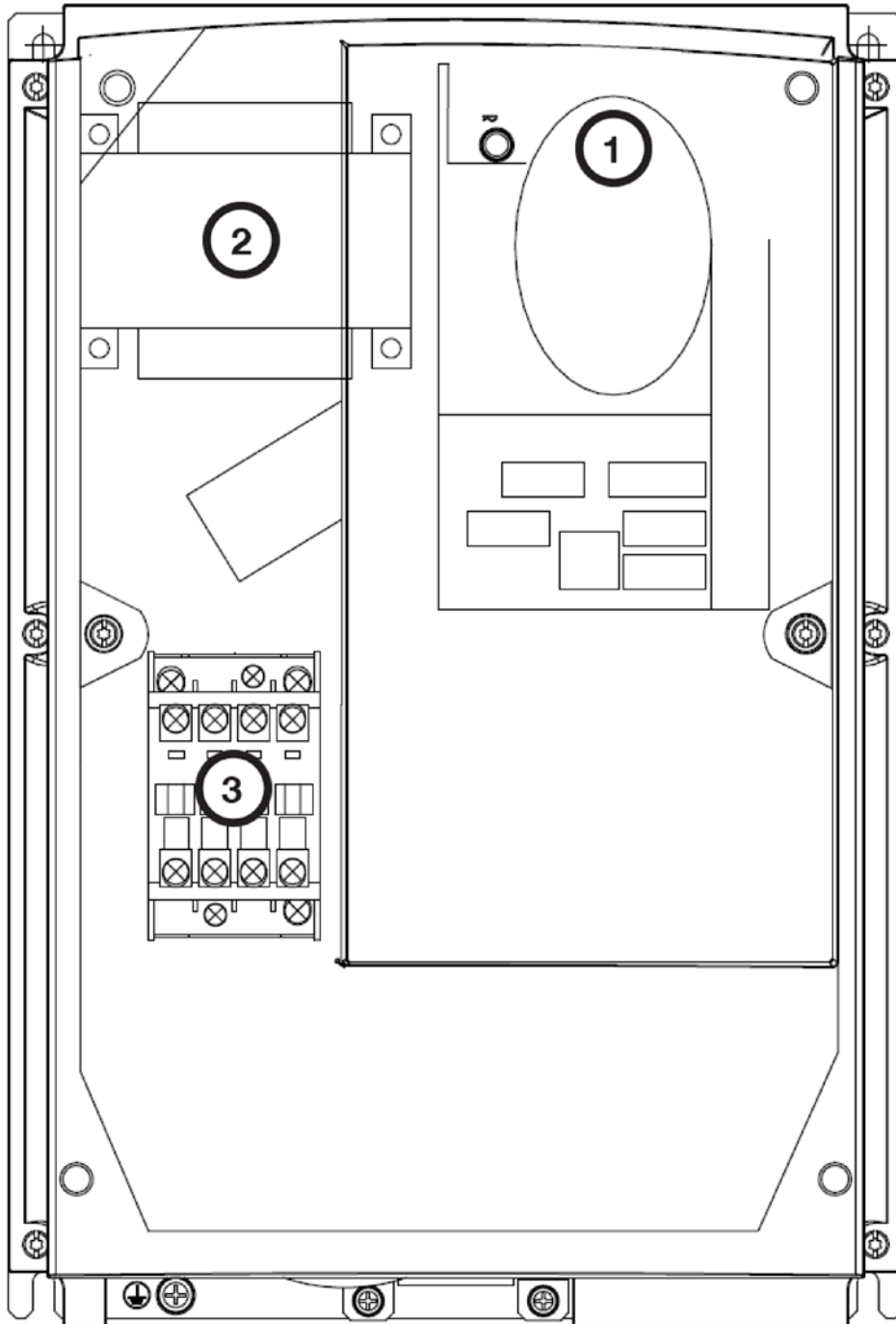
HTC 270 EG Chassis

Item	Description	Part no	Qty
1	WASHER BRB M6 ZP	310012	8
2	SCREW MC6S M6X10 8.8 ZP	310005	14
3	HANDLE COVER UPPER	112153	1
4	HANDLE ASSEMBLY SMALL MACHINES	501144	1
5	OPERATORPANEL HTC270EG	550154	1
6	CONNECTION HOSE 12MM - R3/8"	110147	1
7	CONNECTOR 90°R3/8 UF - R3/8 IF	113255	2
8	FLOW CONTROL VALVE 2x R3/8" IF	112259	1
9	CONNECTOR STRAIGHT R3/8 UF - R3/8 UF	111129	1
10	CONNECTOR R3/8 IF - SNAP COUPLER MALE	111128	1
11	HANDLENOB WN539 50-M6	112164	1
12	HANDLE COVER LOWER	112152	1
13	APPLIANCE INLET, SURF16A BI 3P	110367	1
	APPLIANCE INLET, SURFACE 16A R	110331	1
	APPLIANCE INLET 16A 480-500V	112728	1
14	SCREW MC6S M5X16 8.8 ZP	310211	4
15	HANDLEBAR	501956	2
16	SCREW MC6S M6X25 12.9 PLAIN	310035	4
17	CONNECTOR SNAP COUPLER FEM-HOSE 1/2"	111127	1
18	CAMLOCK MALE INSIDE 2"	113172	1
19	CONNECTION PLATE	501145	1
20	POWER UNIT 270EG 1X110V	550151	1
	POWER UNIT 270EG 1X230V	550152	1
	POWER UNIT 270EG 3X400V	550163	1
	POWER UNIT 270EG 3X460V	550153	1
21	HOSE CLAMP 2"	112924	1
22	HOSE 51MM ANTISTATIC BLACK	113170	0
23	COVER	501142	1
24	CHASSIS BRACKET ASSY	501101	1
25	CIRCLIP SGA 20	310016	2
26	WHEEL 200MM	110855	2
27	SCREW M6SH M12x25 8.8 ZP	310011	3
28	WASHER BRB M12 ZP	310057	3
29	WHEEL BRACKET BUSH	501094	2
30	WHEEL BRACKET ASSY	501119	1
31	HOSE CLAMP 12-22MM	111584	2
32	HOSE Ø10MM REINFORCED	110130	1
33	SCREW MC6S M8X16 10.9 ZP	310080	4
34	BRONZE WASHER HEIGHT ADJUSTER	501535	1
35	HEIGHT ADJ. WHEEL BRACKET ASSY	501113	1
36	HEIGHT ADJ. THREADED SHAFT ASSY	501110	1

HTC 270 EG Chassis

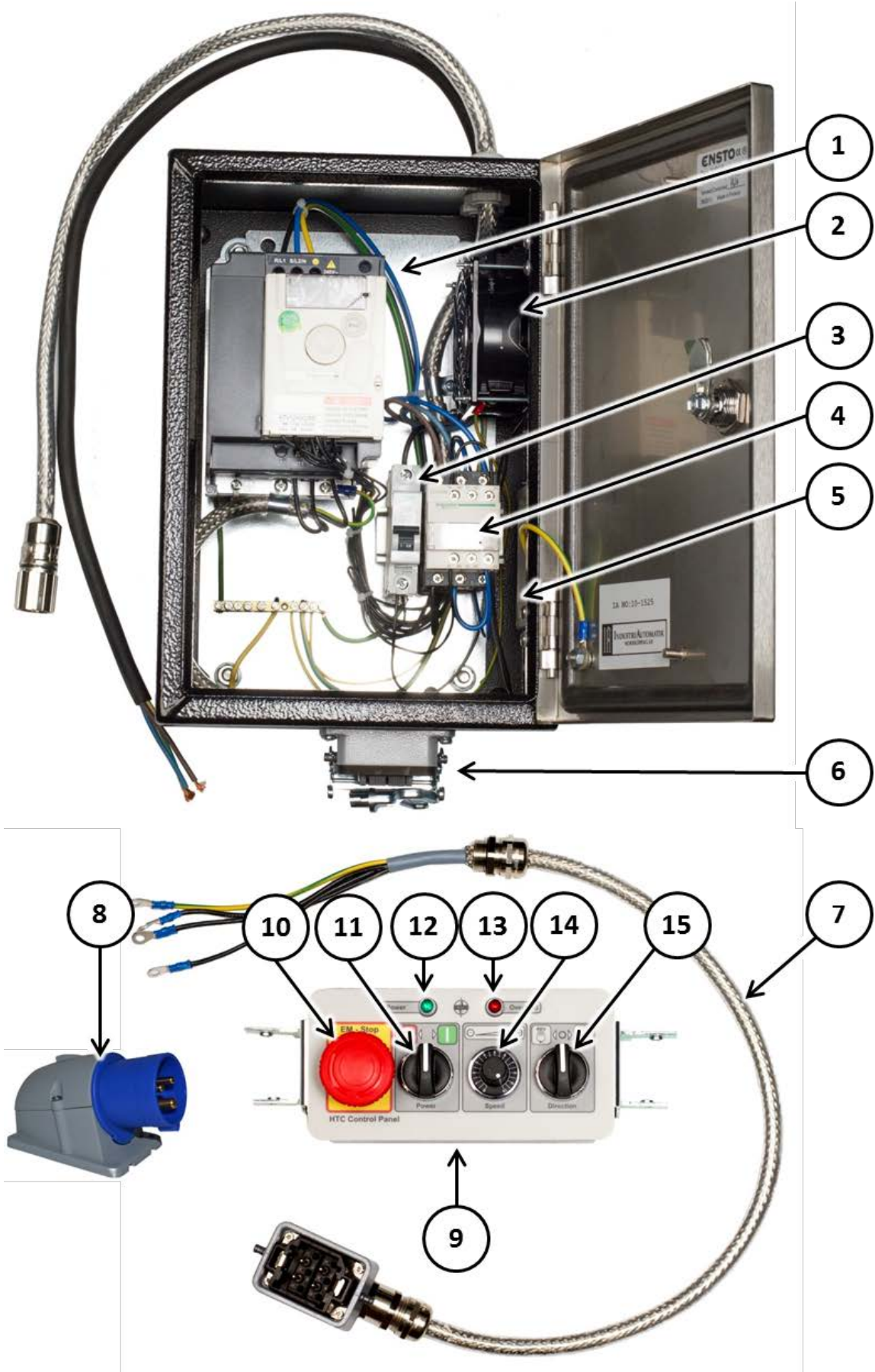
Item	Description	Part no	Qty
37	HEIGHT ADJUST PIPE ASSEMBLY	501131	1
38	KNOB WHEEL ADJUSTMENT	110453	1
39	WASHER BRB M8 ZP	310077	1
40	NUT M6M M8	310205	1
41	HUB HANDLE	112166	2
42	SCREW MFTS M6X9 10.9 ZP	310115	4
43	GEAR LOWER	112165	2
44	SCREW MFTS M6X20 8.8 ZP	310020	6

HTC 270 EG Electrical 1x110V – 550151



Item	Description	Part no	Qty
1	POWER UNIT 2.2kW 1x100V	113929	1
2	LINE INDUCTANCE 1-PHASE 110V 30A 360µH	560164	1
3	CONTACTOR 18A 100-250V	560256	1

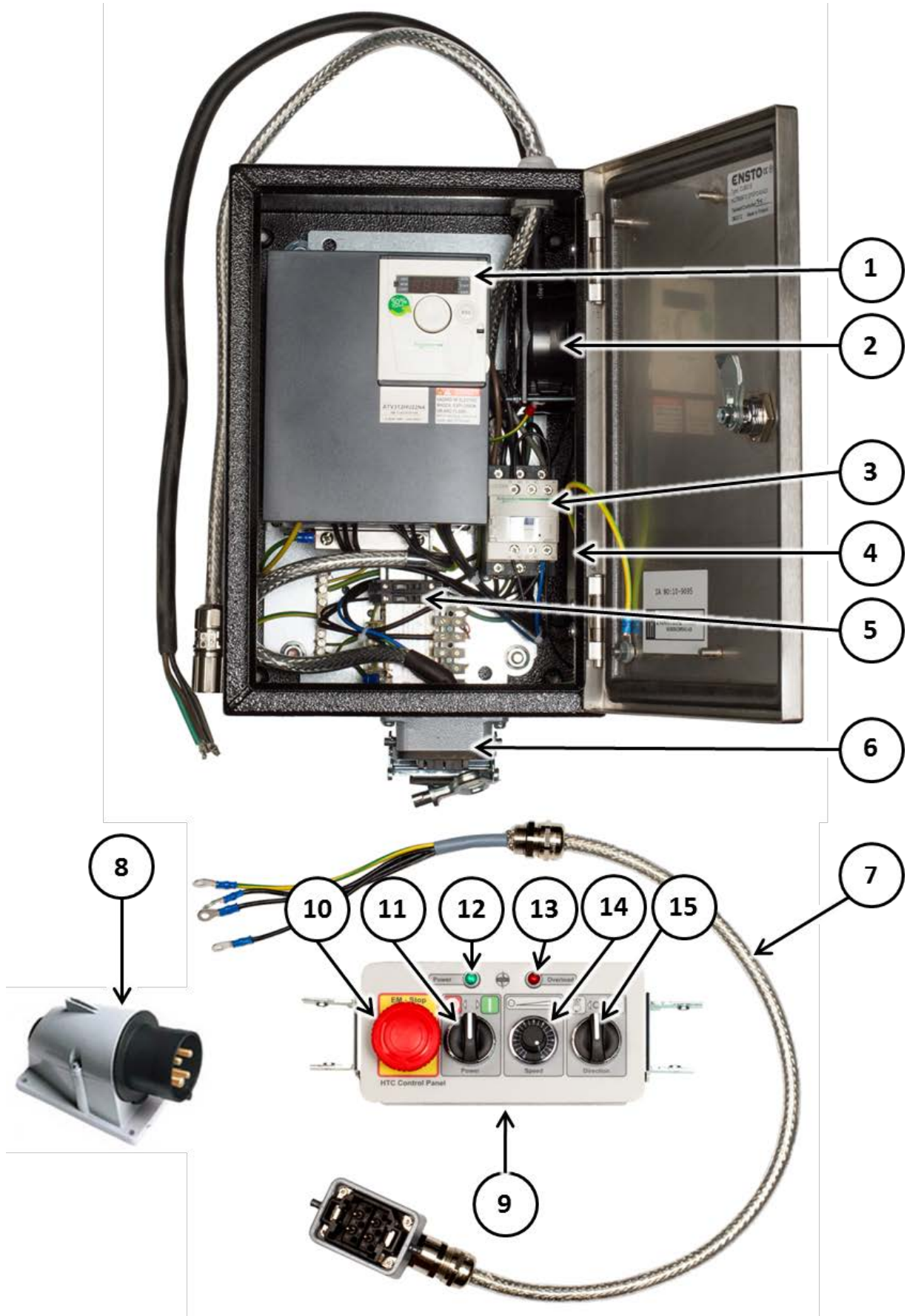
HTC 270 EG Electrical 1x230V – 550152



HTC 270 EG Electrical 1x230V – 550152

Item	Description	Part no	Qty
1	INVERTER	113177	1
2	FILTERFAN	113413	1
	FILTER HOLDER	560167	1
3	FUSE 1POL 1A	560154	1
4	CONTACTOR	560153	1
5	FILTER HOLDER	560167	1
6	MOTOR CABLE INLET	560166	1
7	MOTOR CABLE	112384	1
8	POWER INLET BLUE	110367	1
9	OPERATOR PANEL	550152	1
10	EMERGENCY STOP PRESS BUTTON	110787	1
	MOUNTING BASE	10983	1
	CONTACT BLOCK RED (NC)	110493	1
11	ON/OFF KNOB 3-POS	110449	1
	MOUNTING BASE	10983	1
	CONTACT BLOCK RED (NC)	110493	1
	CONTACT BLOCK GREEN (NO)	110492	1
12	GREEN LED	113546	1
13	RED LED	113547	1
14	SPEED CONTROL KNOB	110500	1
	POTENTIOMETER	111943	1
15	FRW/REW KNOB 3-POS	110487	1
	MOUNTING BASE	10983	1
	CONTACT BLOCK GREEN (NO)	110492	2

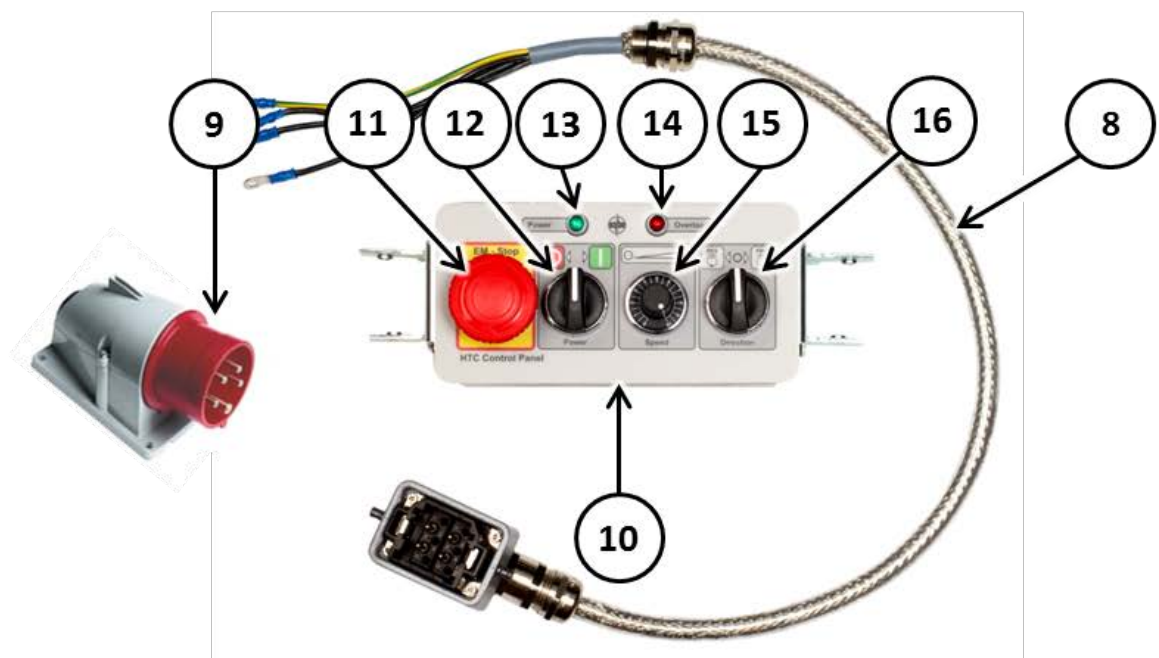
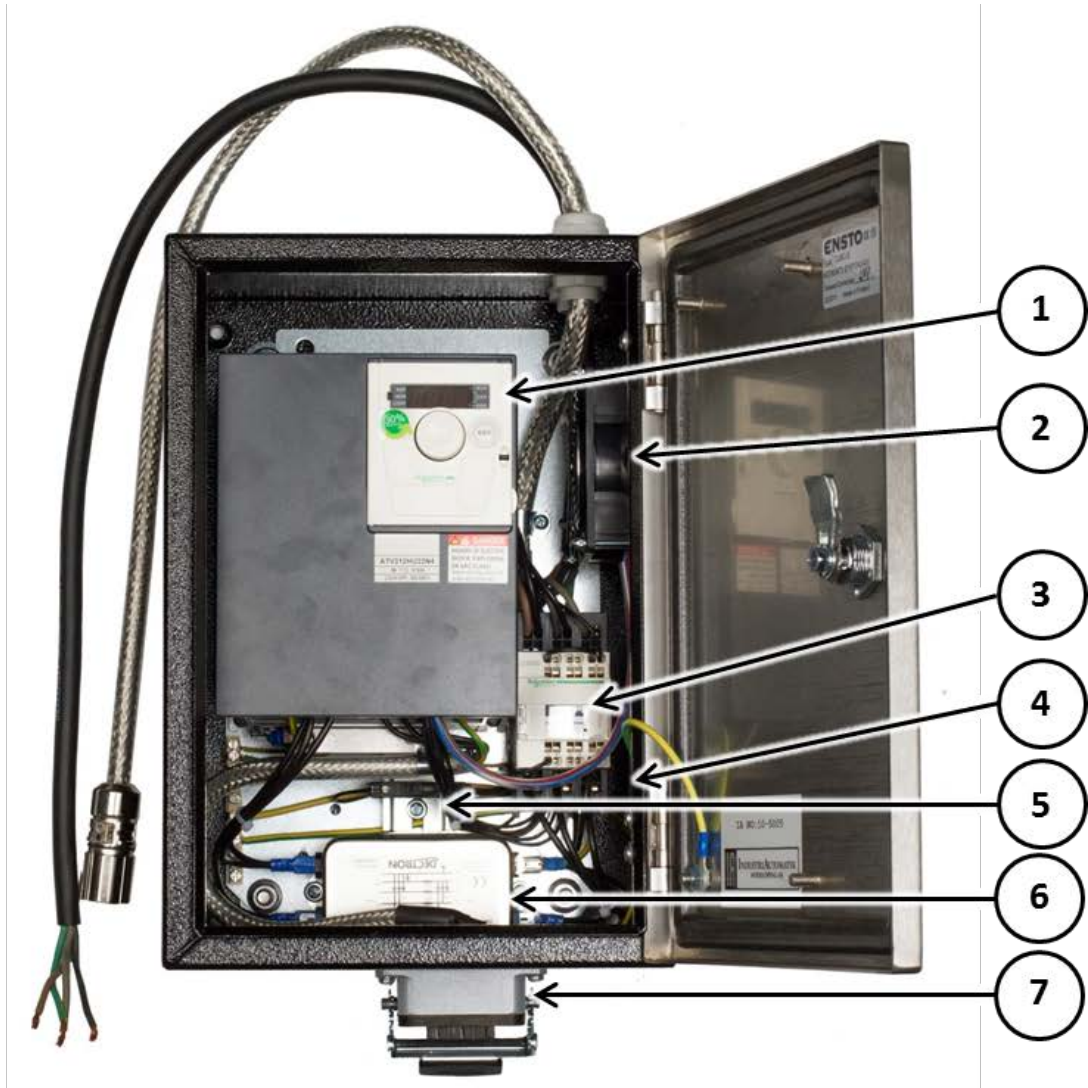
HTC 270 EG Electrical 3x460V US – 550153



HTC 270 EG Electrical 3x460V US – 550153

Item	Description	Part no	Qty
1	INVERTER	560155	1
2	FILTER FAN	113413	1
	FILTER HOLDER	560167	1
3	CONTACTOR	560156	1
4	FILTER HOLDER	560167	1
5	FUSE GLASS TUBE 0.2A	113529	2
	FUSE TERMINAL	560160	2
6	MOTOR CABLE INLET	560166	1
7	MOTOR CABLE	112384	1
8	POWER INLET	112728	1
9	OPERATOR PANEL	550154	1
10	EMERGENCY STOP PRESS BUTTON	110787	1
	MOUNTING BASE	10983	1
	CONTACT BLOCK RED (NC)	110493	1
11	ON/OFF KNOB 3-POS	110449	1
	MOUNTING BASE	10983	1
	CONTACT BLOCK RED (NC)	110493	1
	CONTACT BLOCK GREEN (NO)	110492	1
12	GREEN LED	113546	1
13	RED LED	113547	1
14	SPEED CONTROL KNOB	110500	1
	POTENTIOMETER	111943	1
15	FRW/REW KNOB 3-POS	110487	1
	MOUNTING BASE	10983	1
	CONTACT BLOCK GREEN (NO)	110492	2

HTC 270 EG Electrical 3x400V EU – 550163



HTC 270 EG Electrical 3x400V EU – 550163

Item	Description	Part no	Qty
1	INVERTER	560155	1
2	FILTERFAN	113413	1
	FILTER HOLDER	560167	1
3	CONTACTOR	560158	1
4	FILTER HOLDER	560167	1
5	FUSE GLASS TUBE 0.2A	113529	1
	FUSE TERMINAL	560160	1
6	EMI FILTER	560159	1
7	MOTOR CABLE INLET	560166	1
8	MOTOR CABLE	112384	1
9	CONNECTOR FEMALE RED	10107	1
10	OPERATOR PANEL	550152	1
11	EMERGENCY STOP PRESS BUTTON	110787	1
	MOUNTING BASE	10983	1
	CONTACT BLOCK RED (NC)	110493	1
12	ON/OFF KNOB 3-POS	110449	1
	MOUNTING BASE	10983	1
	CONTACT BLOCK RED (NC)	110493	1
	CONTACT BLOCK GREEN (NO)	110492	1
13	GREEN LED	113546	1
14	RED LED	113547	1
15	SPEED CONTROL KNOB	110500	1
	POTENTIOMETER	111943	1
16	FRW/REW KNOB 3-POS	110487	1
	MOUNTING BASE	10983	1
	CONTACT BLOCK GREEN (NO)	110492	2