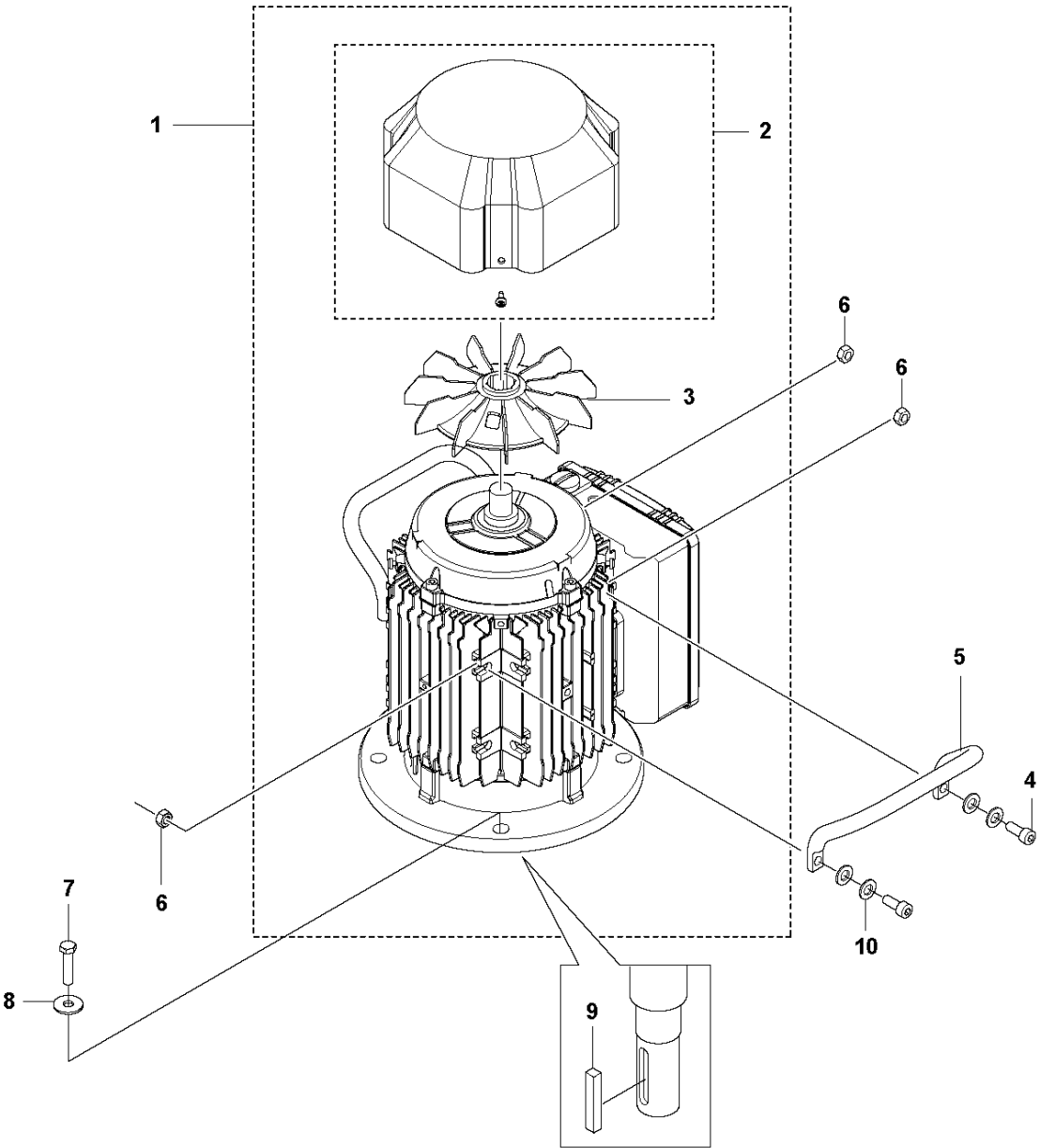


SPARE PARTS LIST

SURFACE PREPARATION EQUIPMENT

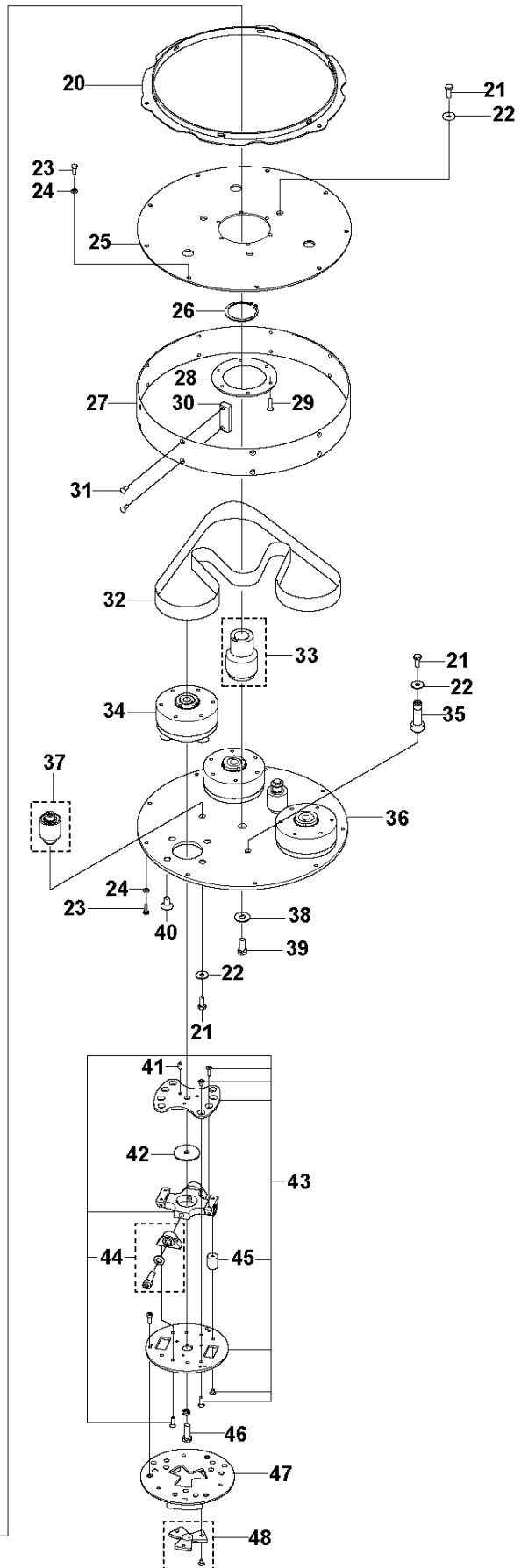
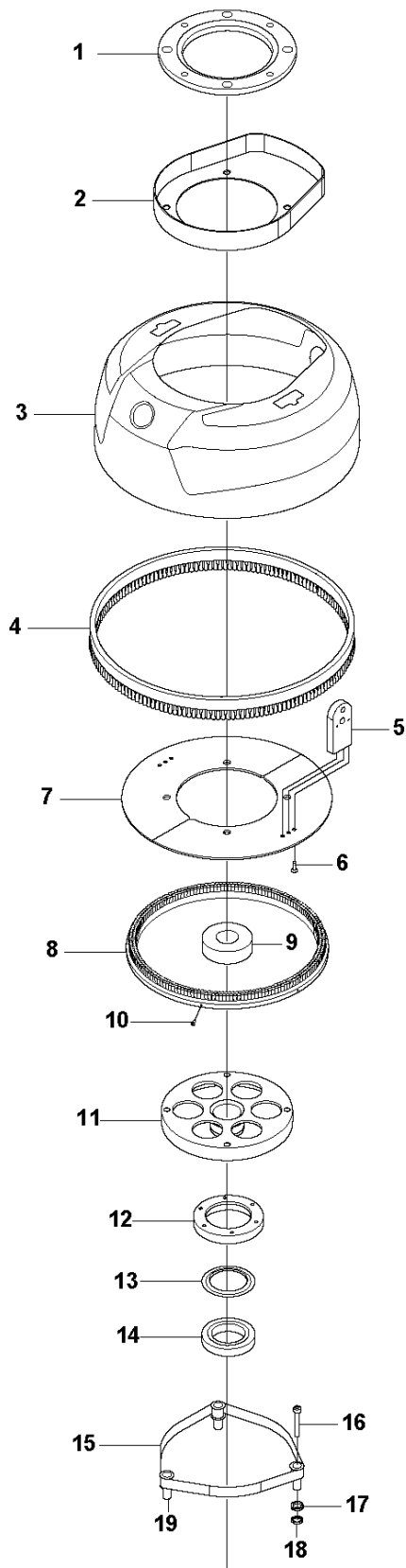
HTC 450, 2019-01

A HTC 450
Motor 1-Phase



Ref	Part No	Description	Remark	QTY KIT	
1	585 19 19-03	MOTOR	2,2kW 230V 50Hz	1	
1	590 67 91-07	MOTOR ASSY	1,5kW 110V 50Hz		
1	967 93 27-05	FLOOR GRINDER	1,1kW 110V 60Hz		
2	597 33 90-01	FAN COVER		1	1
3	587 17 47-01	FAN		1	1
4	725 54 53-01	SCREW IHSCM		4	
5	585 42 33-05	HANDLE		2	
6	731 23 18-01	HEXAGON NUT		4	
7	725 25 42-71	SCREW EHHM		4	
8	734 11 78-01	WASHER		4	
9	597 27 18-01	PARALLEL KEY		1	
10	734 11 63-01	WASHER		8	

B HTC 450
Grinding Head

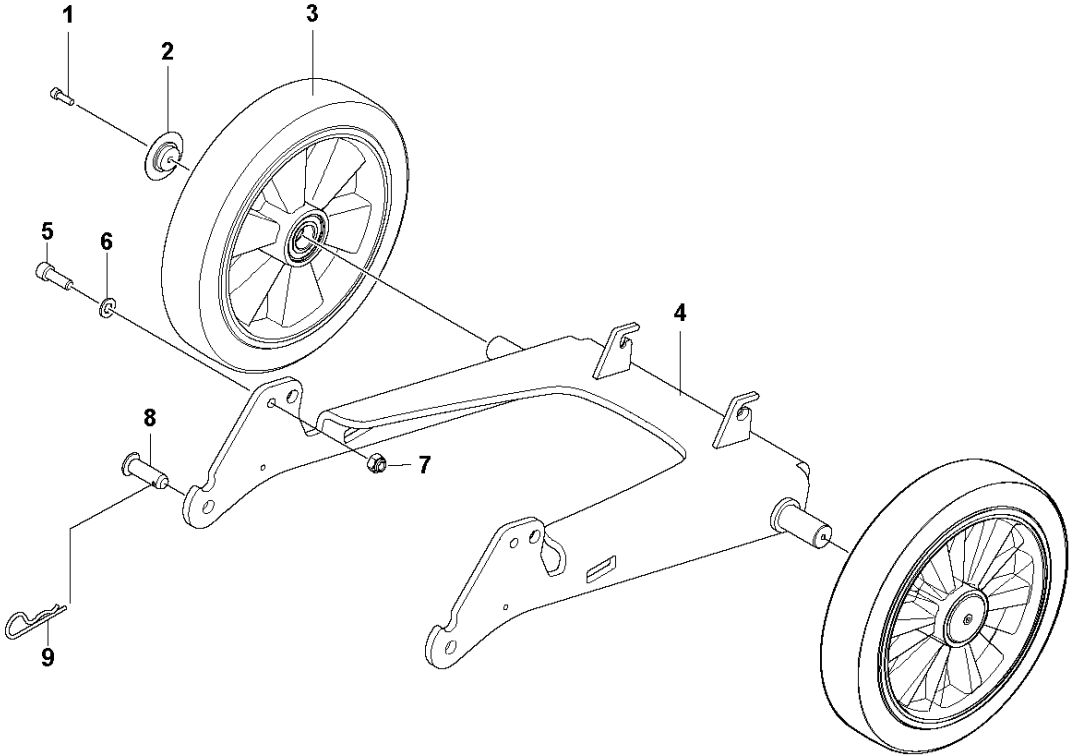


GRINDING HEAD

HTC 450, 2019-01

Ref	Part No	Description	Remark	QTY KIT
1	585 08 33-02	SPACER		1
2	584 85 10-01	GUIDE		1
3	595 89 80-01	DUST COVER		1
4	585 13 84-05	BRUSH		1
5	585 54 03-01	BRACKET		2
5	585 54 03-02	BRACKET	HDX variant only	2
6	725 63 70-51	SCREW IHCSFM		6
7	586 85 24-01	MOUNTING PLATE		2
8	584 83 27-02	BRUSH		1
9	585 41 78-01	SEAL		1
10	729 52 81-01	SCREW CRPANT		7
11	584 82 95-01	PLATE		1
12	584 82 91-01	HOUSING		1
13	584 82 92-01	SEAL		1
14	502 56 26-01	BALL BEARING		1
15	584 82 98-01	BELT		1
16	725 24 62-51	SCREW EHHM		3
17	740 68 11-21	V-RING		3
18	584 82 84-01	RADIAL SEAL		3
19	584 83 94-01	SHAFT		3
20	584 83 24-01	COVER		1
21	725 24 51-71	SCREW EHHM		3
22	734 11 65-41	WASHER		3
23	725 23 68-71	SCREW EHHM		9
24	734 11 52-01	WASHER		9
25	584 82 83-01	LID		1
26	502 53 96-01	CIRCLIP		1
27	584 83 81-01	COVER		1
28	584 82 94-01	COVER		1
29	725 63 72-51	SCREW IHCSFM		6
30	584 83 79-01	BOSS		9
31	725 63 68-51	SCREW IHCSFM		18
32	584 83 16-01	BELT		1
33	584 83 01-01	PULLEY ASSY		1
34	584 83 07-01	PULLEY ASSY		3
35	584 82 86-01	SHAFT		1
36	584 83 17-01	LID		1
37	584 82 85-01	PULLEY ASSY		2
38	734 11 74-41	WASHER		1
39	725 24 93-71	SCREW EHHM		1
40	584 83 23-01	SCREW IHCSFM		12
41	720 13 49-50	PARALLEL PIN		9
42	584 81 59-01	WASHER		1
43	584 81 57-01	HOLDER ASSY		3
44	597 27 37-01	DAMPER		4
45	584 81 61-01	ABSORBER		8
46	725 54 95-01	SCREW IHSCM		3
47	596 33 81-01	DISC		3
48	597 33 97-01	LOCK ASSY		3

C HTC 450
Chassi

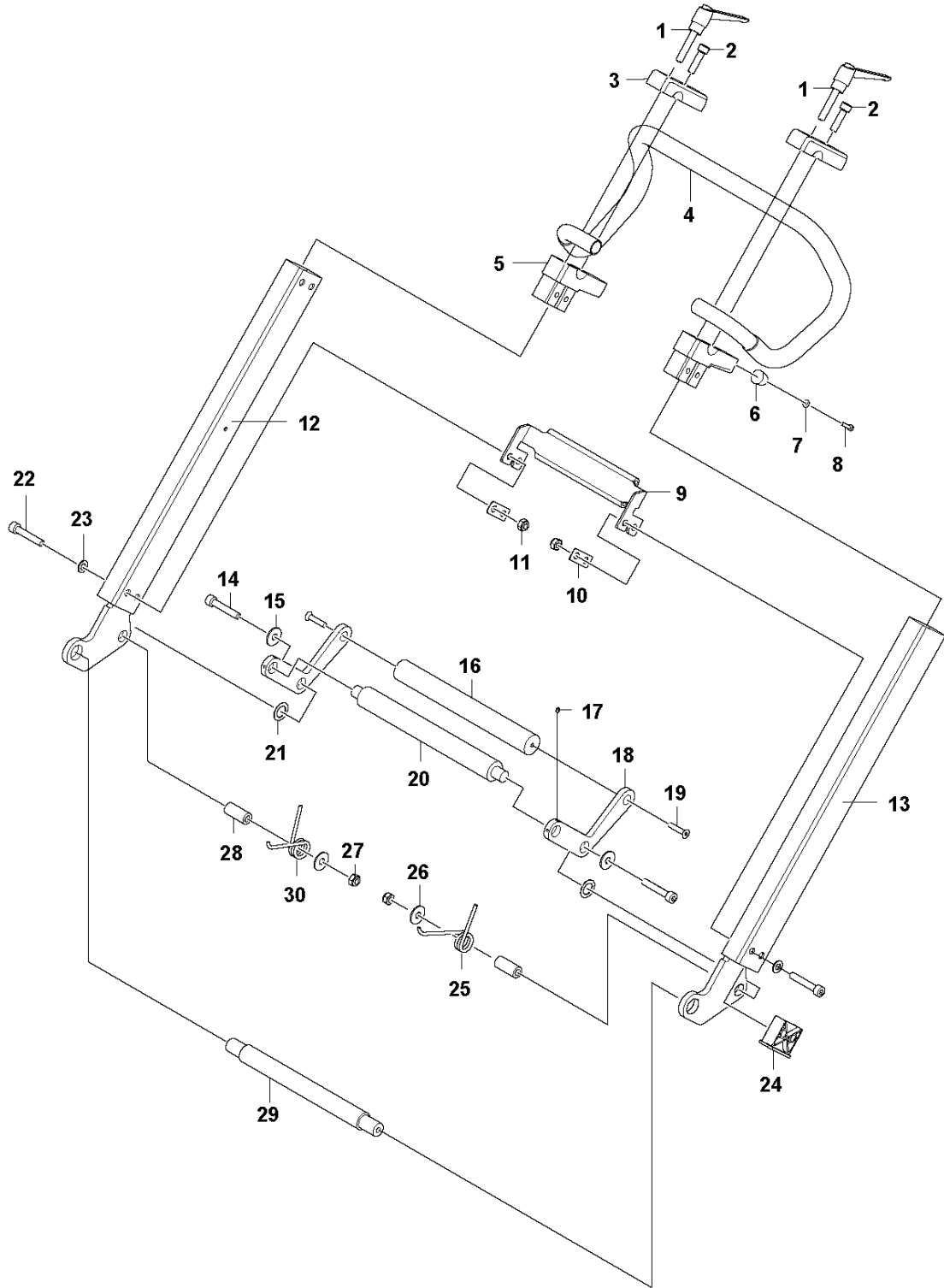


CHASSIS

HTC 450, 2019-01

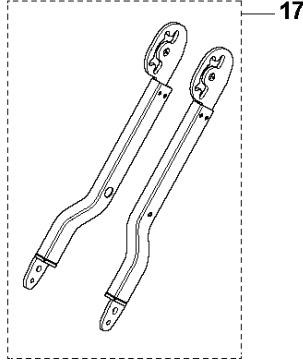
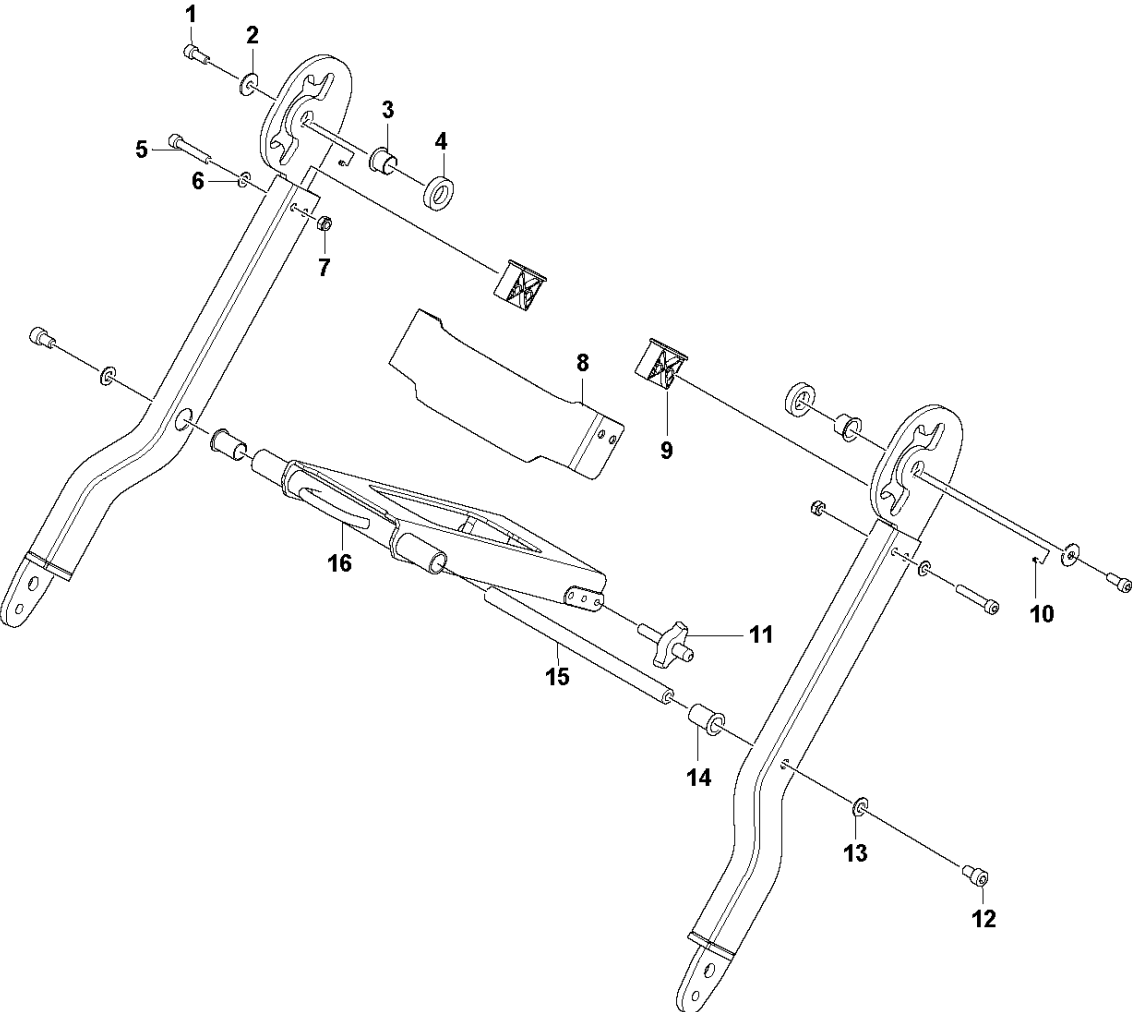
Ref	Part No	Description	Remark	QTY KIT
1	725 53 70-51	SCREW IHSCM		2
2	575 39 51-01	WASHER		2
3	502 54 50-01	WHEEL		2
4	585 10 91-01	CHASSIS		1
5	725 54 95-01	SCREW IHSCM		2
6	734 11 72-01	WASHER		2
7	732 25 20-01	HEXAGON LOCKING NUT		2
8	721 85 68-01	CLEVIS PIN		2
9	721 68 02-51	SPRING COTTER		2

D HTC 450
Frame



Ref	Part No	Description	Remark	QTY KIT
1	585 12 92-01	LOCKING HANDLE		2
2	725 54 55-21	SCREW IHSCM		2
3	585 51 66-01	BRACKET		2
4	594 90 56-01	HANDLE TUBE		1
5	585 51 67-01	BRACKET		2
6	585 51 68-01	RUBBER SHOE		2
7	734 11 36-01	WASHER		2
8	725 52 95-01	SCREW IHSCM		2
9	585 38 28-04	BRACKET		1
10	585 38 31-01	WASHER		2
11	732 21 18-01	LOCK NUT		8
12	585 57 35-09	FORK		1
13	585 57 35-10	FORK		1
14	725 54 61-01	SCREW IHSCM		2
15	734 11 65-41	WASHER		4
16	585 13 37-04	HANDLE		1
17	728 82 85-01	SCREW IHSETM		6
18	585 13 33-01	PLATE		2
19	725 63 74-51	SCREW		2
20	585 13 38-01	ROD		1
21	585 41 62-01	WASHER		2
22	725 54 60-01	SCREW IHSCM		4
23	734 11 63-01	WASHER		6
24	585 13 29-01	SPACER		2
25	585 41 61-01	SPRING		1
26	734 11 65-41	WASHER		4
27	732 21 18-01	LOCK NUT		2
28	585 38 33-02	SLEEVE		2
29	585 13 36-01	TUBE		1
30	585 41 73-01	SPRING		1

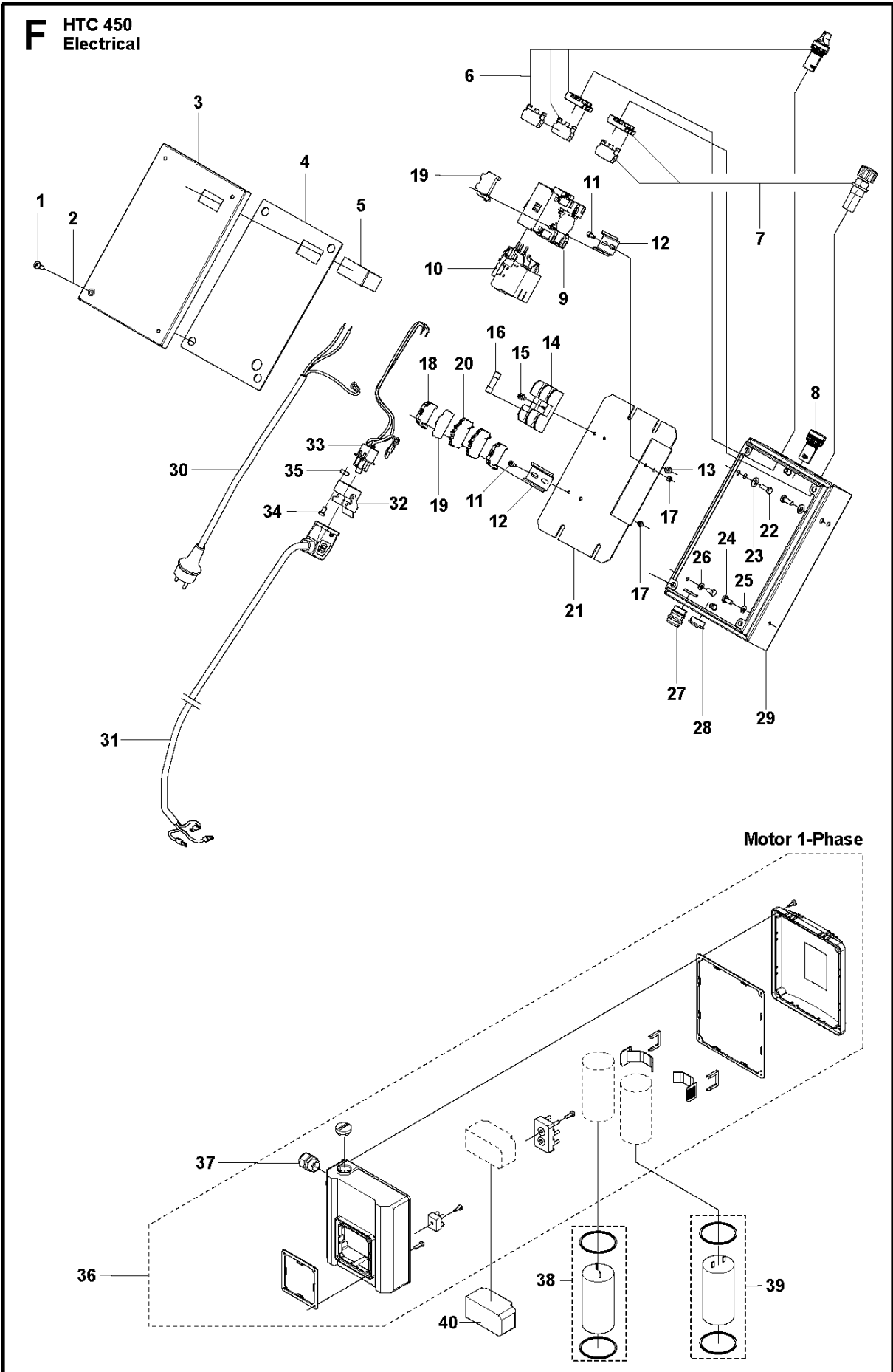
E HTC 450
Frame



FRAME

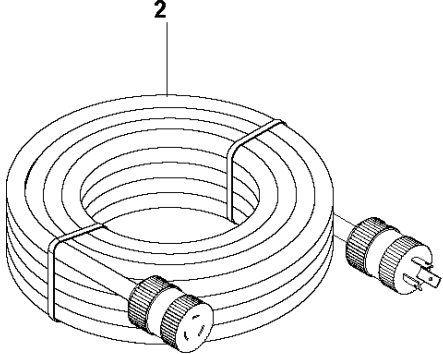
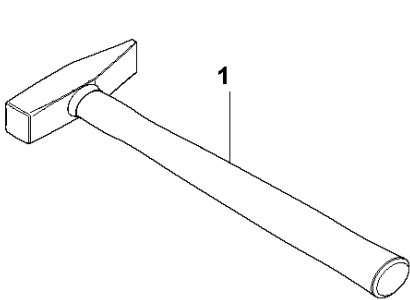
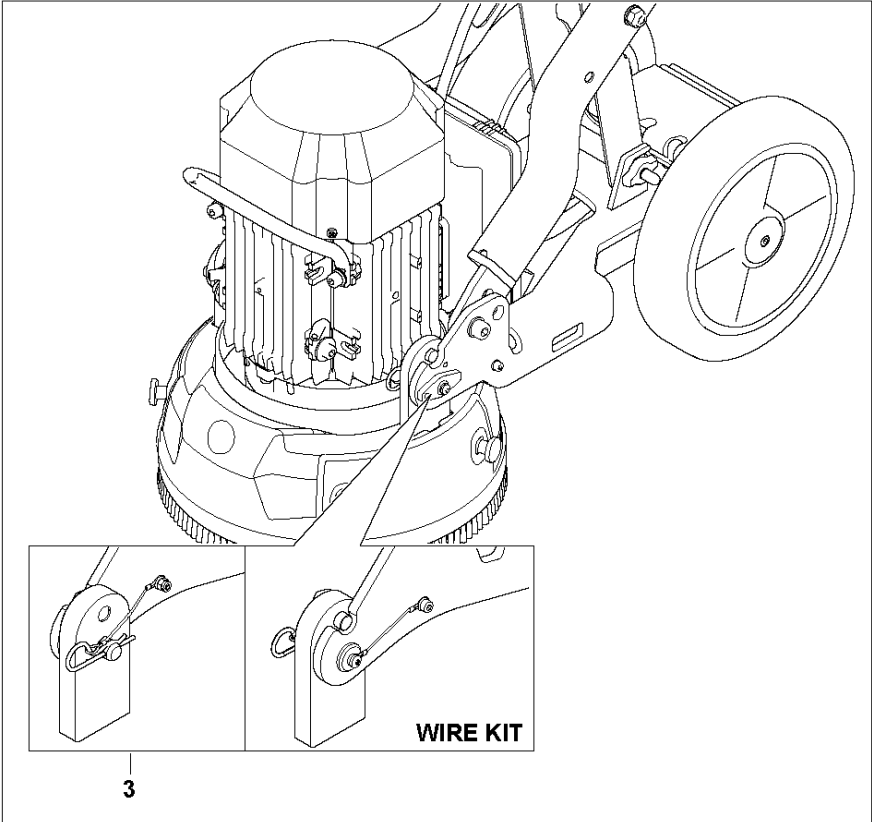
HTC 450, 2019-01

Ref	Part No	Description	Remark	QTY KIT
1	725 54 51-01	SCREW IHSCM		2
2	734 11 65-41	WASHER		2
3	585 41 60-01	BUSH		2
4	585 13 35-01	SPACER		2
5	725 54 60-01	SCREW IHSCM		4
6	734 11 63-01	WASHER		6
7	732 21 18-01	LOCK NUT		4
8	585 38 30-05	BRACKET		1
9	585 13 29-01	SPACER		4
10	728 82 85-01	SCREW IHSETM		6
11	590 47 22-01	WING KNOB		2
12	725 54 91-01	SCREW IHSCM		2
13	734 11 72-01	WASHER		2
14	585 12 91-01	BUSH		2
15	585 12 90-02	TUBE		1
16	585 10 97-02	SUPPORT		1
17	593 89 71-03	FRAME TUBE		1



Ref	Part No	Description	Remark	QTY	KIT
1	724 13 68-51	SCREW CRPANM		4	
2	521 88 66-01	RIVET		4	
3	586 47 43-04	LID		1	
4	586 46 70-02	SEALING		1	
5	584 29 63-01	HOUR METER		1	
6	586 99 15-01	SWITCH KIT		1	
7	586 99 16-01	SWITCH KIT		1	
8	584 29 71-01	LAMP	230V	1	
8	584 29 71-02	LAMP	110V	1	
9	585 36 58-01	CONTACTOR	200-230V, 50/60Hz	1	
9	585 36 58-02	CONTACTOR	100-120V, 60Hz	1	
9	586 99 18-01	CONTACTOR	100-120V, 50Hz	1	
10	580 62 35-02	PROTECTION	2.2kW, 50Hz/1.1kW, 60Hz	1	
10	584 29 78-05	RELAY	1.5kW, 50Hz	1	
11	725 53 25-01	SCREW IHSCM		4	
12	522 74 70-01	RAIL		2	
13	731 23 16-01	HEXAGON NUT		1	
14	525 88 26-01	FUSE HOLDER		1	
15	725 53 64-55	SCREW IHSCM		1	
16	525 63 81-01	FUSE		2	
17	732 25 14-01	HEXAGON LOCKING NUT		4	
18	585 36 61-05	TERMINAL BLOCK		3	
19	585 36 61-03	TERMINAL BLOCK		1	
19	585 36 61-07	TERMINAL BLOCK	US 100-120V	1	
20	585 61 35-01	TERMINAL BLOCK		1	
20	585 36 61-01	TERMINAL BLOCK	US 120V	1	
21	590 07 58-01	MOUNTING PLATE		1	
22	725 24 51-71	SCREW EHHM		4	
23	734 11 63-01	WASHER		4	
24	725 23 66-51	HEXAGONAL SCREW M6X12		2	
25	734 11 52-01	WASHER		1	
26	735 21 53-01	LOCKWASHER		1	
27	510 43 17-01	CABLE GROMMET		1	
28	586 58 69-01	PLUG		1	
29	582 50 69-05	ELECTRONIC BOX		1	
30	586 23 68-03	CABLE	1-ph EU 230V 16A	1	
30	586 23 68-02	CABLE	1-ph AU 230V 15A	1	
30	586 23 68-06	CABLE	1-ph UK 110V 32A	1	
30	586 23 68-14	CABLE	1-ph US 110V 15A	1	
31	585 63 81-03	CABLE	EU, UK, AU	1	
31	585 63 81-12	CABLE	US/CAN, 120V	1	
32	585 36 66-05	CONNECTOR		1	
33	590 50 35-01	CONNECTOR		1	
34	725 52 24-01	SCREW		2	
35	732 25 10-01	HEXAGON LOCKING NUT		2	
36	587 17 39-01	ELECTRONIC BOX		1	
37	510 43 17-02	CABLE GROMMET		1	36
38	587 17 45-01	CAPACITOR	RUN 230V 50/60Hz	1	
38	587 17 45-02	CAPACITOR	RUN 120V 1.5kW 50/60Hz	1	
38	587 17 45-04	CAPACITOR	RUN 120V 1.1kW 60Hz	1	
39	587 17 44-01	CAPACITOR	START 230V 50Hz	1	
39	587 17 44-03	CAPACITOR	START 120V 1.5kW 50/60Hz	1	
39	587 17 44-05	CAPACITOR	START 120V 1.1kW 60Hz	1	
40	587 17 43-01	SWITCH	230V, 50Hz	1	

G HTC 450
Accessories



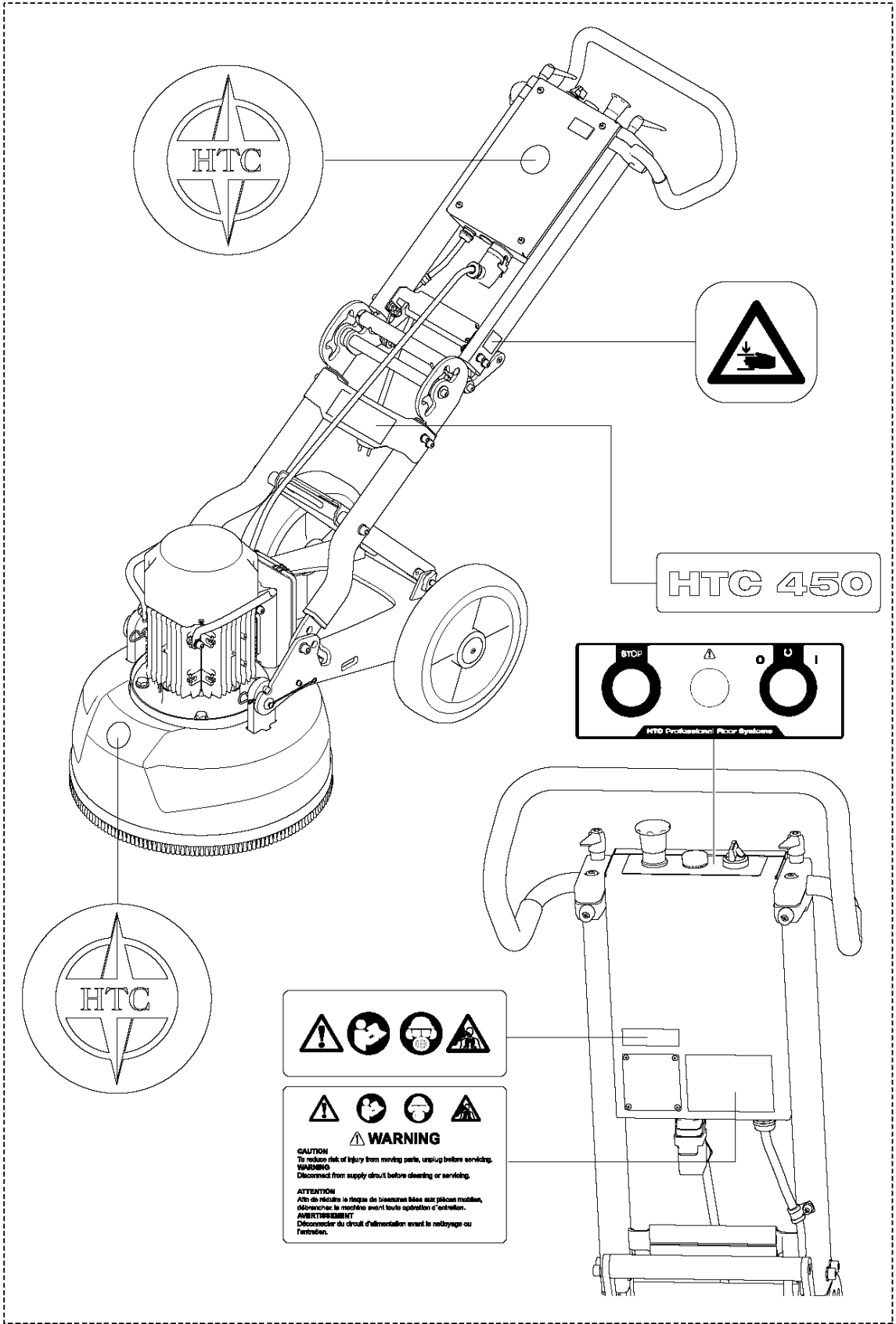
ACCESSORIES

HTC 450, 2019-01

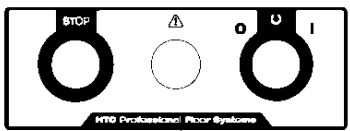
Ref	Part No	Description	Remark	QTY KIT
1	522 03 97-01	HAMMER		1
2	590 24 08-04	EXTENSION CABLE	1-PH 120V US	1
3	597 30 74-03	WIRE		

H HTC 450
Decal

1



HTC 450



⚠ WARNING
CAUTION
 To reduce risk of injury from moving parts, unplug before servicing.
WARNING
 Disconnect from supply circuit before cleaning or servicing.
ATTENTION
 Afin de réduire le risque de blessures liées aux pièces mobiles, débranchez la machine avant toute opération d'entretien.
AVERTISSEMENT
 Déconnecter du circuit d'alimentation avant le nettoyage ou l'entretien.

DECALS

HTC 450, 2019-01

Ref	Part No	Description	Remark	QTY KIT
1	597 24 87-06	DECAL SYSTEM		1