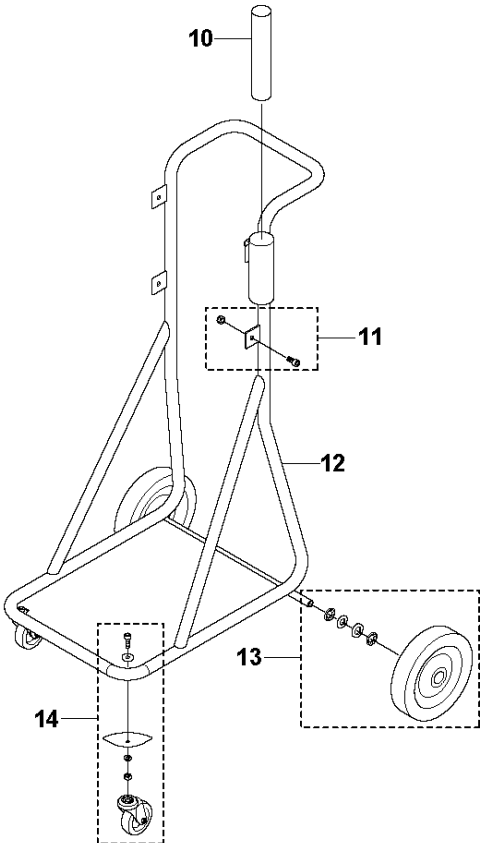
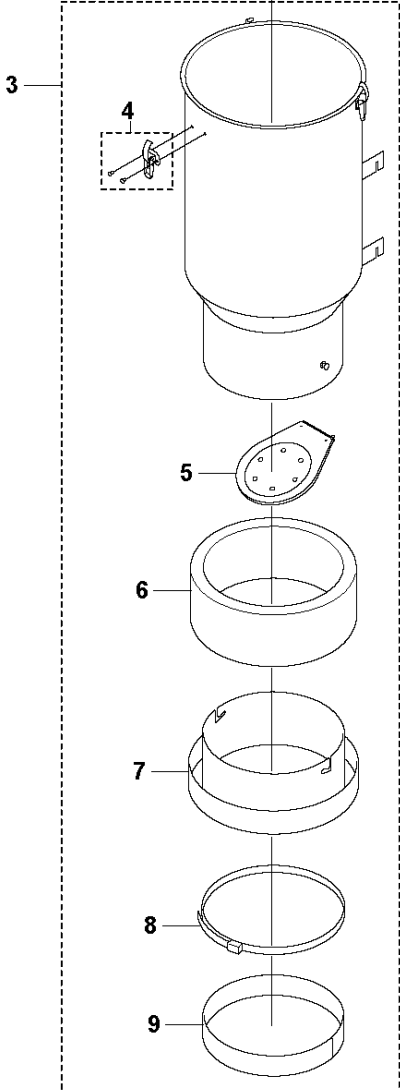
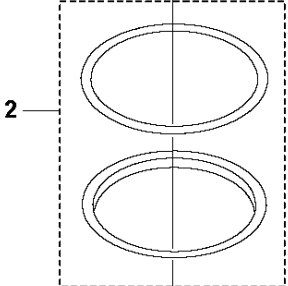
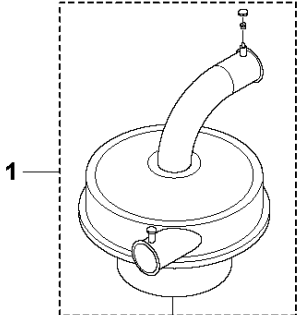


SPARE PARTS LIST

DUST AND SLURRY MANAGEMENT

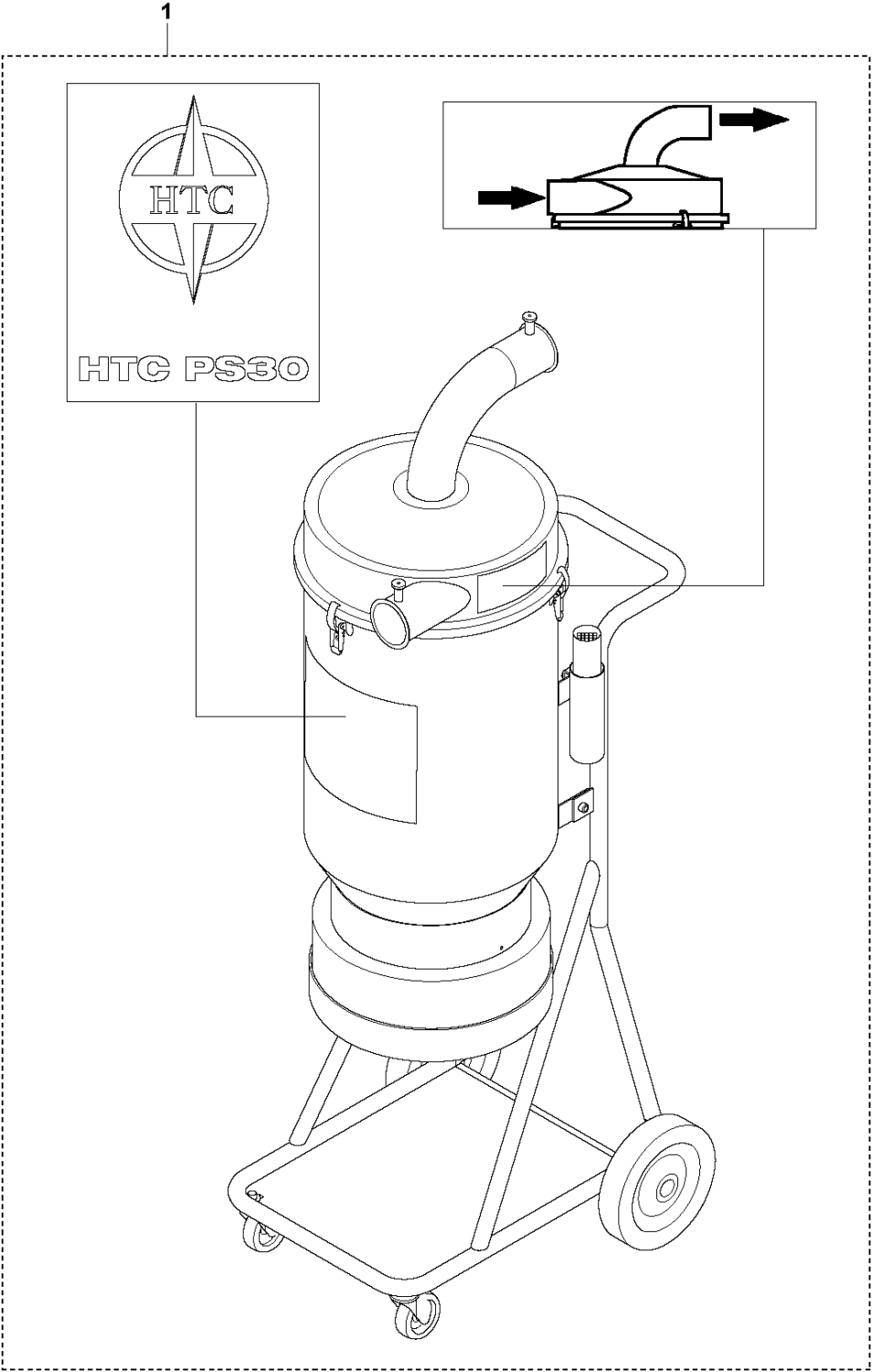
PS 30, 2019-01

A PS 30
TANK



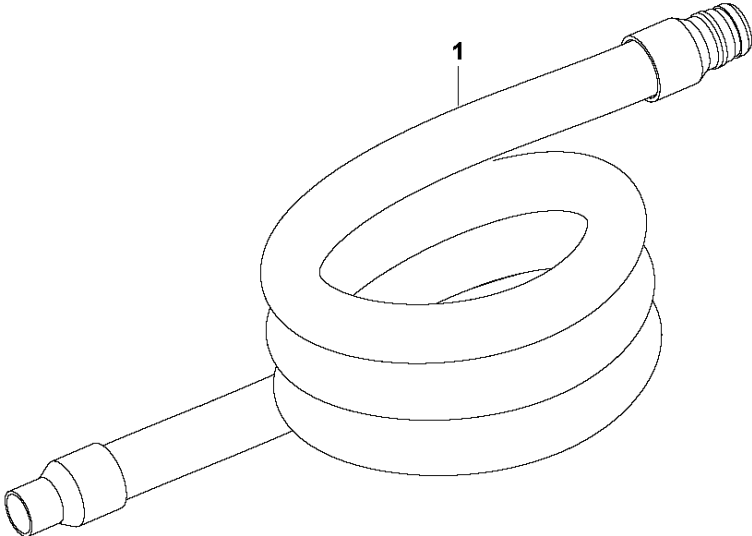
| Ref | Part No | Description | Remark | QTY KIT | |
|-----|--------------|-------------|--------|---------|---|
| 1 | 590 49 88-03 | SEPARATOR | | 1 | |
| 2 | 590 45 70-01 | SEAL KIT | | 2 | |
| 4 | 590 39 64-01 | HOLDER KIT | | 3 | 3 |
| 5 | 590 39 86-01 | FLAP | | 1 | 3 |
| 6 | 590 42 92-01 | BAG | | 1 | 3 |
| 7 | 590 43 58-01 | HOLDER | | 1 | 3 |
| 8 | 590 40 18-01 | STRAP | | 1 | 3 |
| 9 | 590 40 23-01 | SEAL | | 1 | 3 |
| 10 | 590 42 60-01 | CLIP | | 1 | |
| 11 | 590 45 75-01 | SCREW KIT | | 1 | |
| 12 | 590 45 72-01 | FRAME | | 1 | |
| 13 | 590 39 70-01 | REAR WHEEL | | 1 | |
| 14 | 590 39 72-01 | WHEEL KIT | | 1 | |

B PS 30
DECALS



| Ref | Part No | Description | Remark | QTY KIT |
|-----|--------------|-------------|--------|---------|
| 1 | 597 39 09-04 | DECAL KIT | | 1 |

C PS 30
ACCESSORIES



ACCESSORIES

PS 30, 2019-01

| Ref | Part No | Description | Remark | QTY KIT |
|-----|--------------|-------------|--------|---------|
| 1 | 590 82 96-01 | HOSE | | 1 |